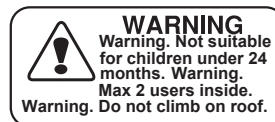
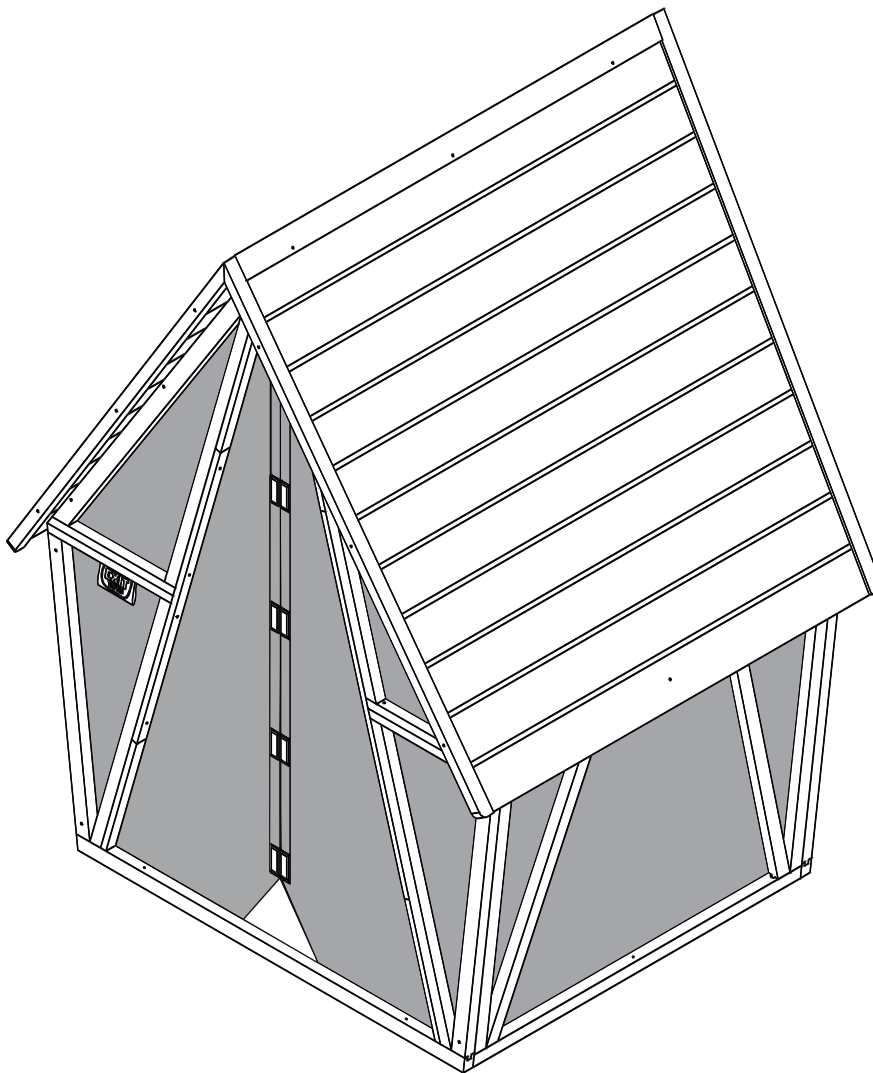


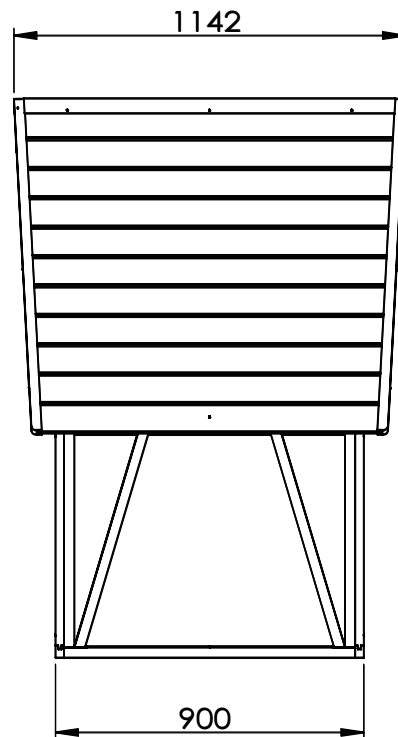
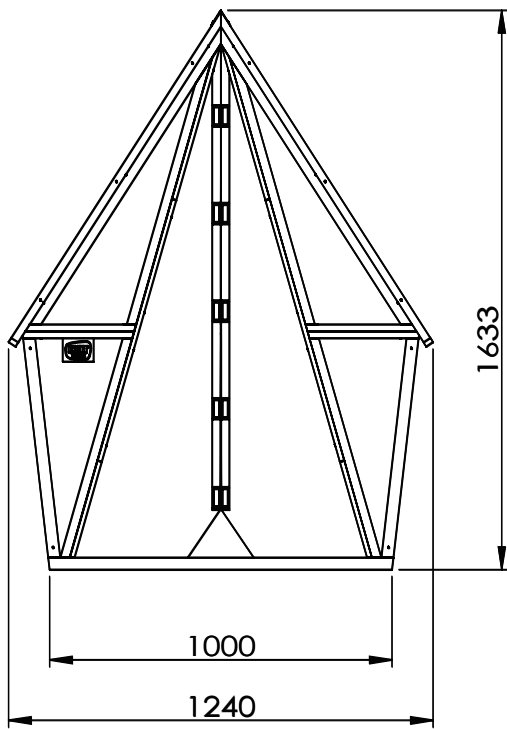
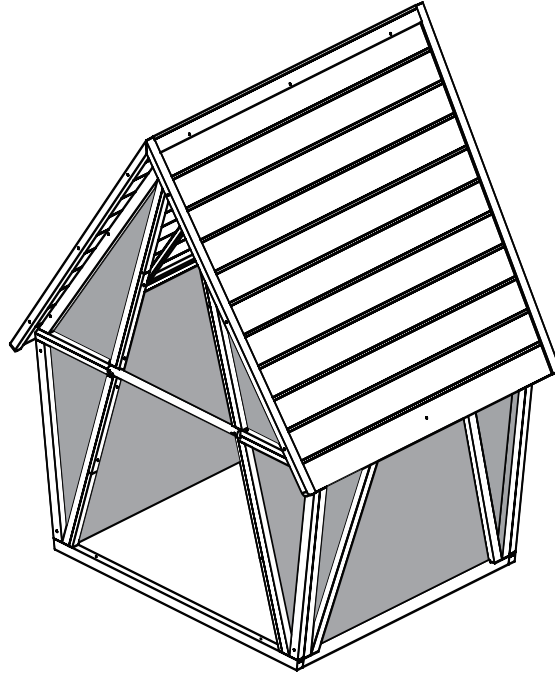


Playhouse

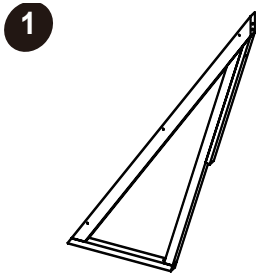
EXIT Yuki

Yuki 100

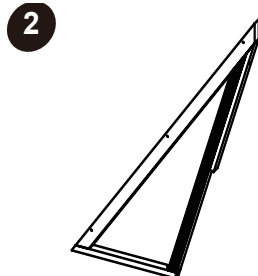




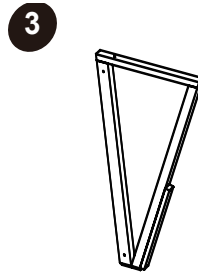
 **21kg**



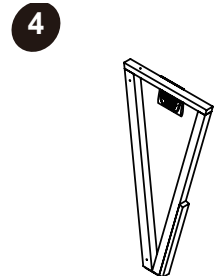
68.65.00.01 2x



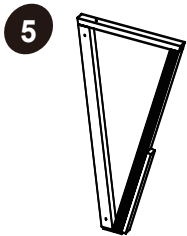
68.65.00.02 2x



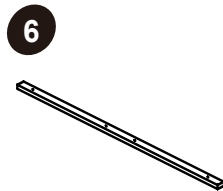
68.65.00.03 1x



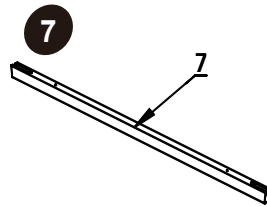
68.65.00.04 1x



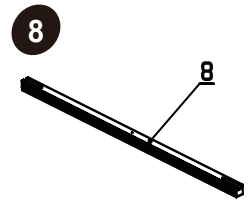
68.65.00.05 2x



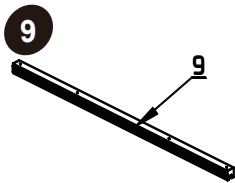
68.65.00.06 4x



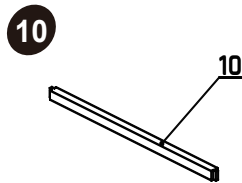
68.65.00.07 2x



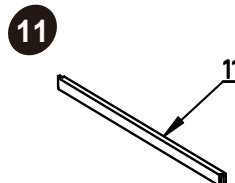
68.65.00.08 2x



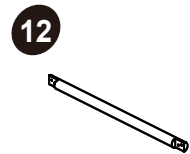
68.65.00.09 2x



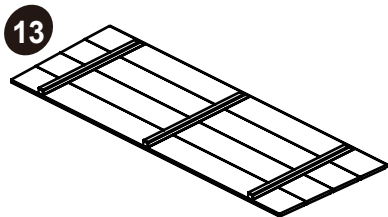
68.65.00.10 4x



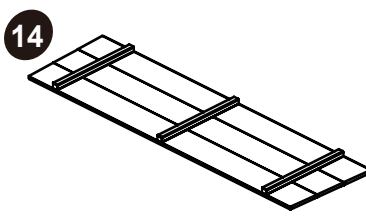
68.65.00.11 4x



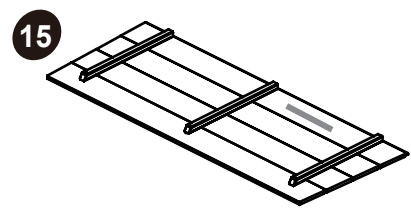
68.65.00.12 1x



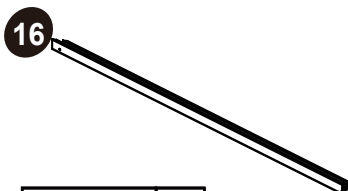
68.65.00.13 2x



68.65.00.14 2x



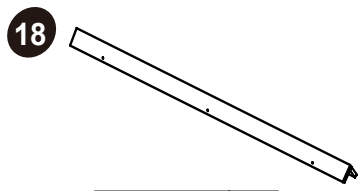
68.65.00.15 2x *



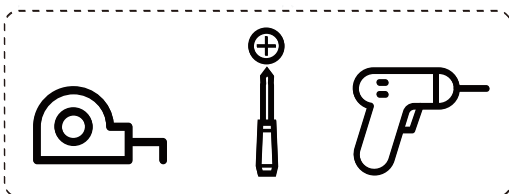
68.65.00.16 2x



68.65.00.17 2x



68.65.00.18 1x

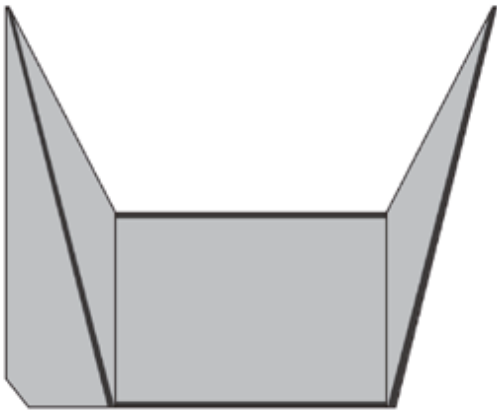


* BOX REFERENCE:	XX.XX
PRODUCTION ID:	XXX XXX

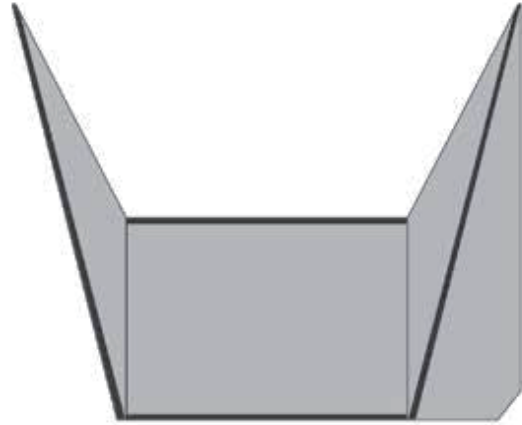


68.65.00.30

19 68.65.00.33



20 68.65.00.32



68.65.00.80



Φ4x50 18x



Φ3.5x40 30x



Φ3x35 40x



Φ3.5x30 4x



Φ3x25 6x

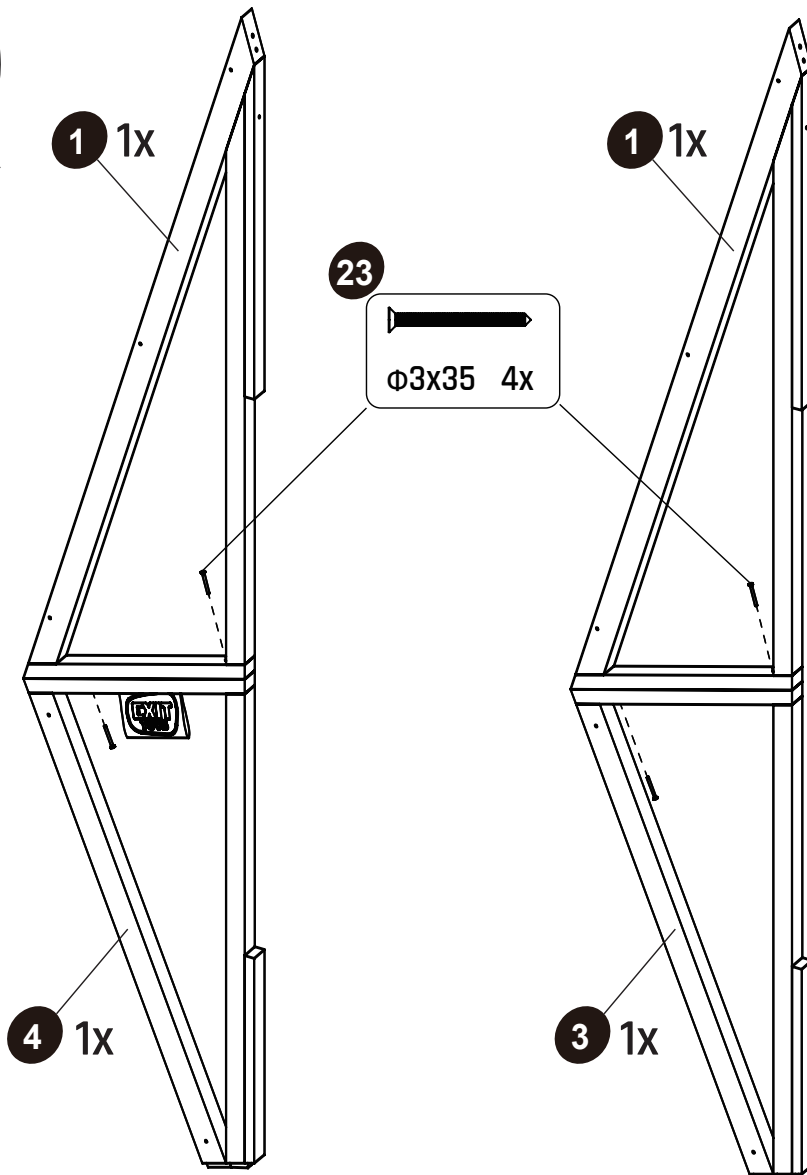


Φ4x12 44x

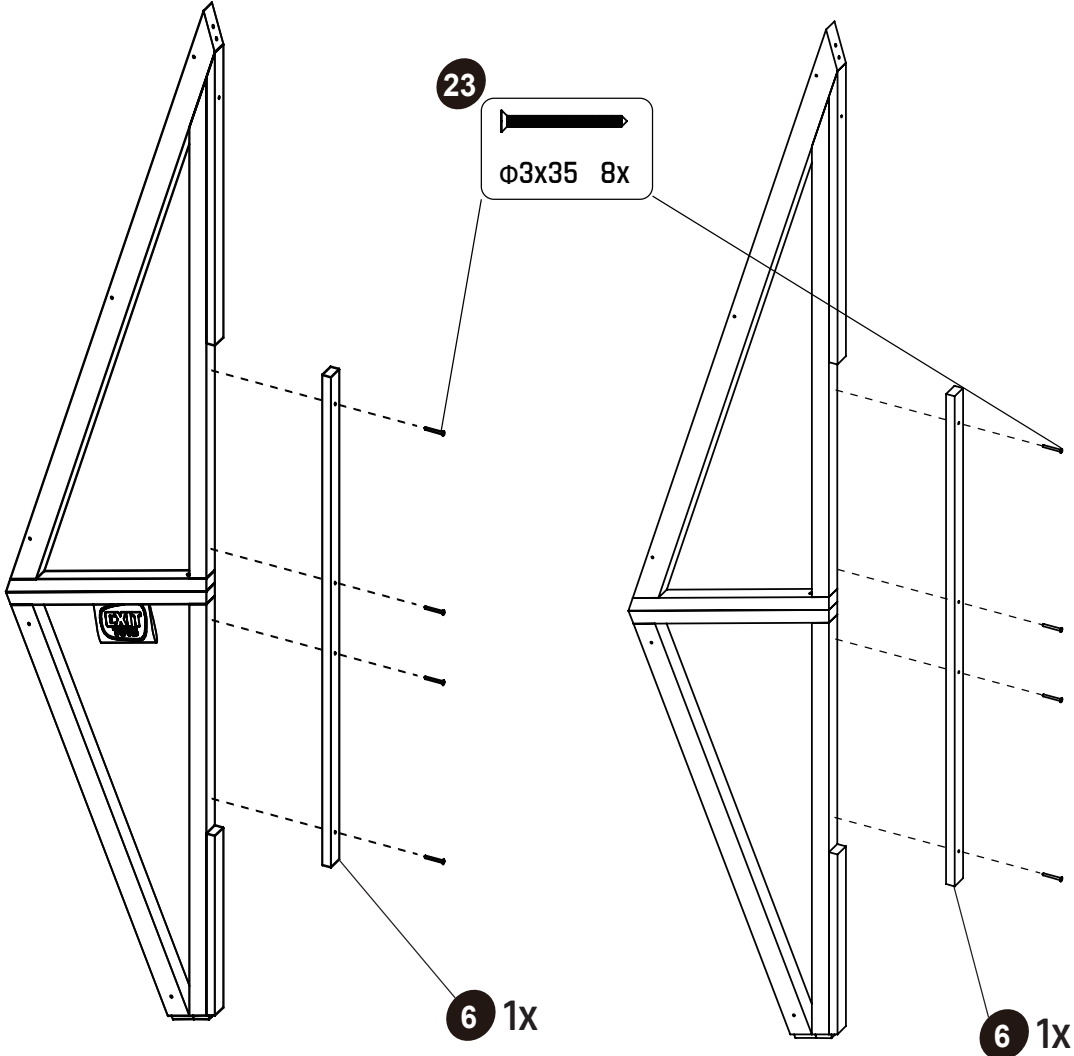


Φ4xΦ14 44x

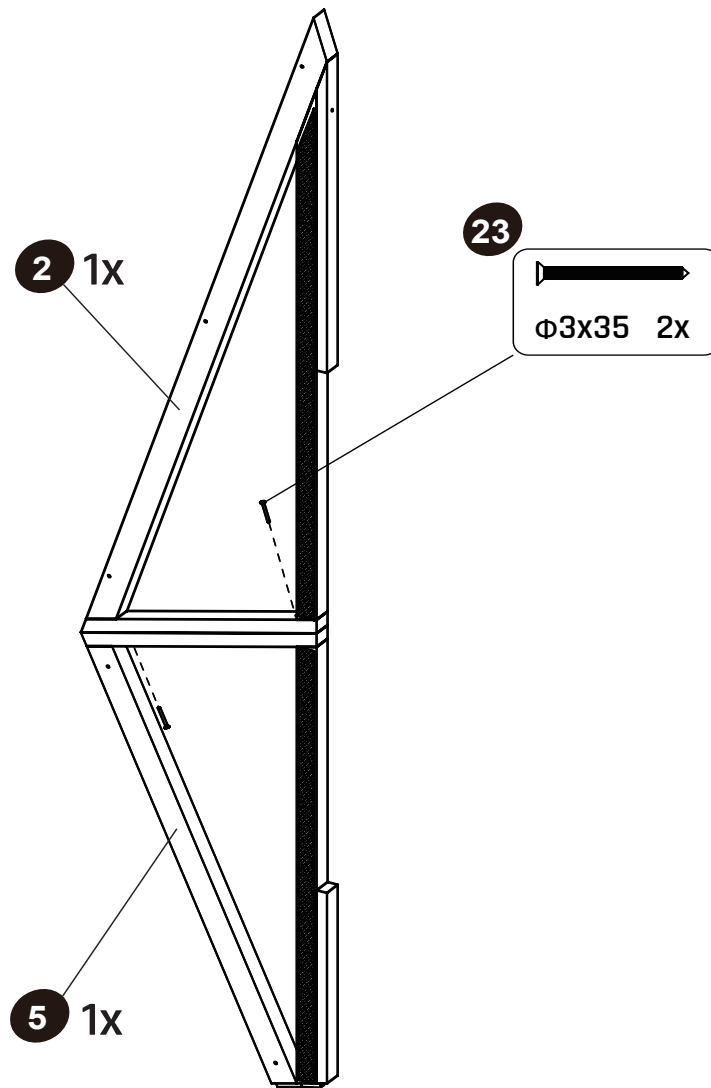
1



2

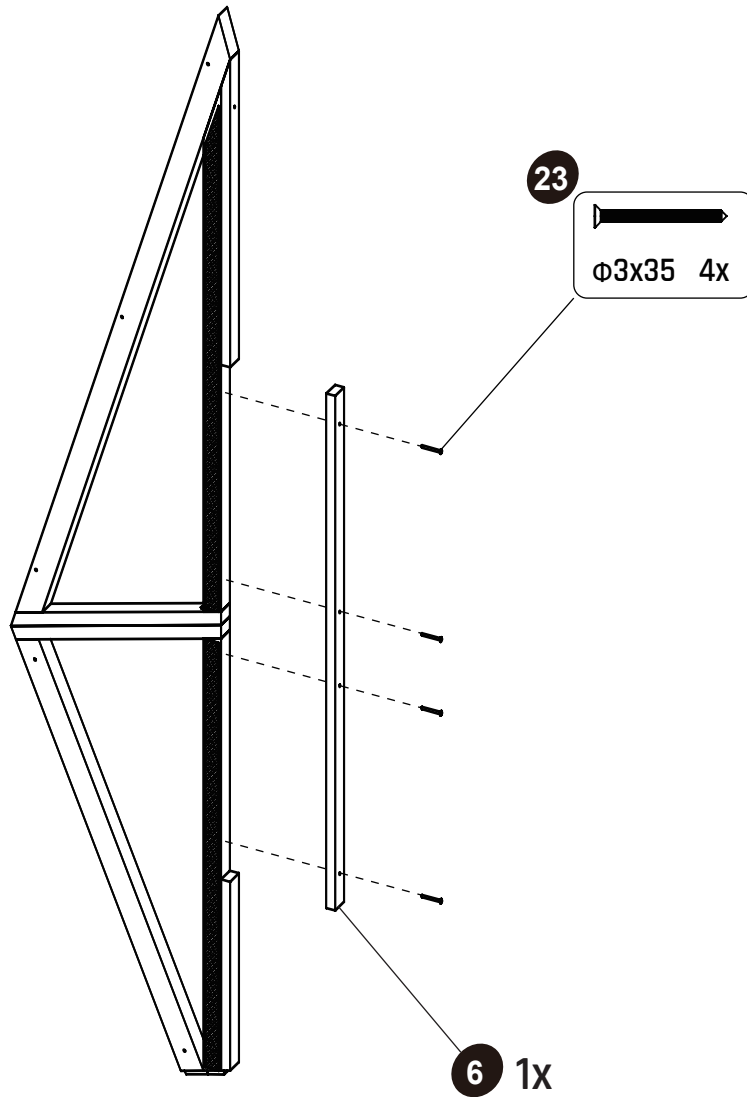


3

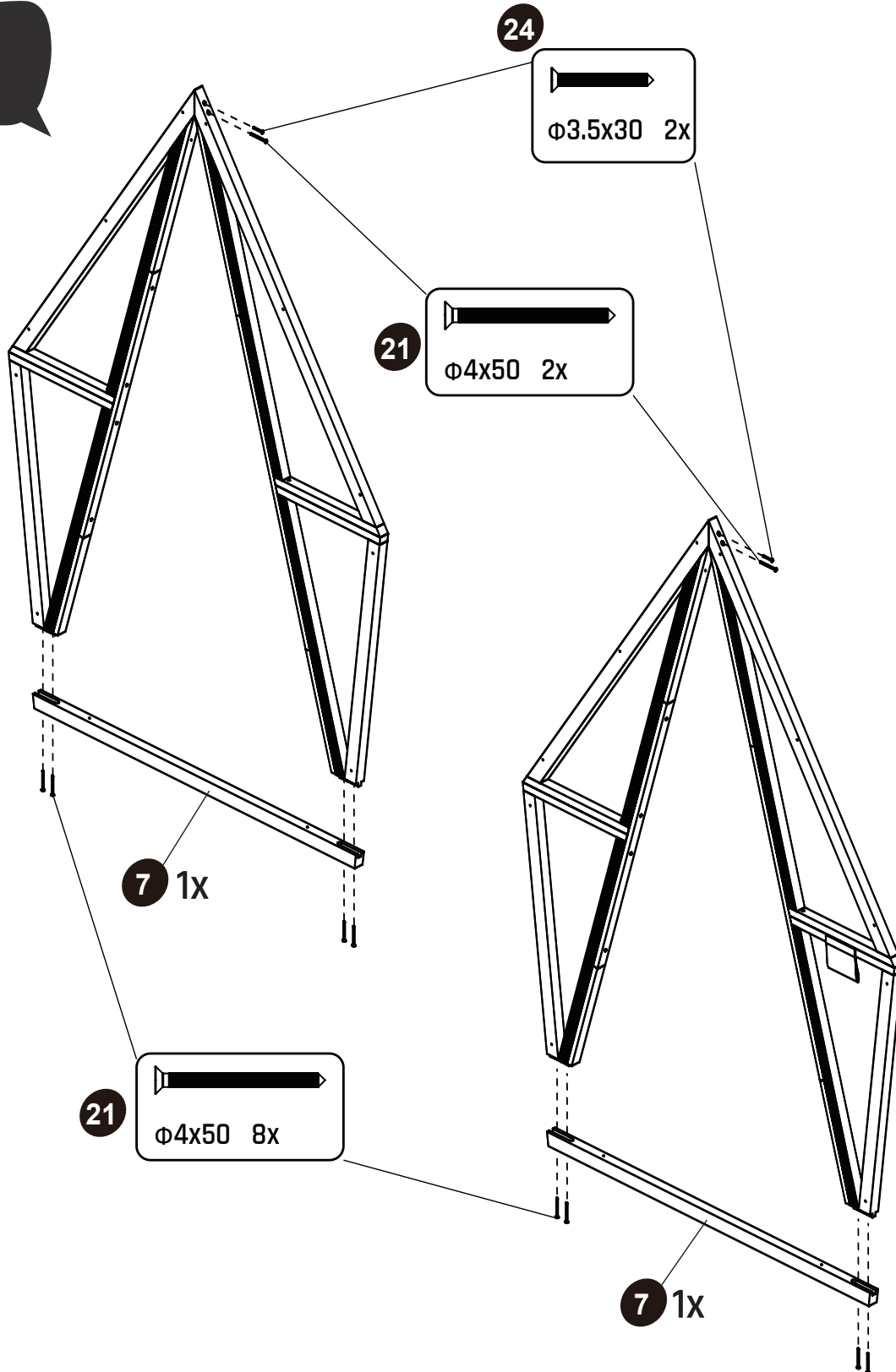


4

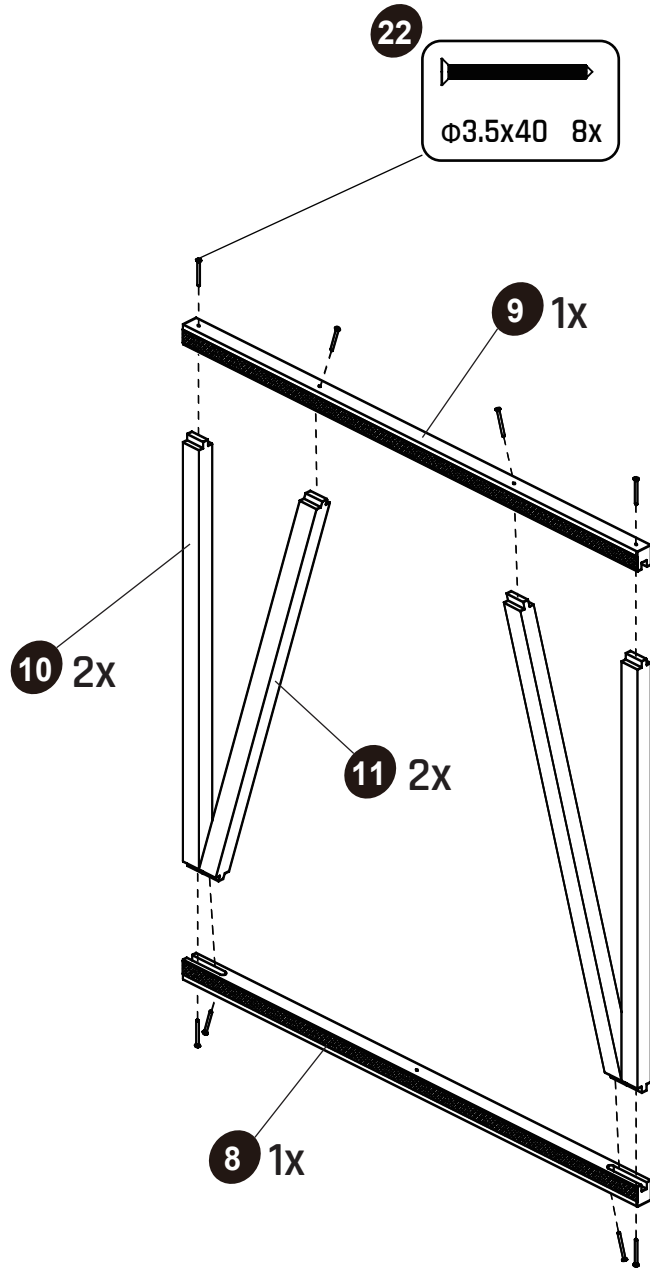
x2



5



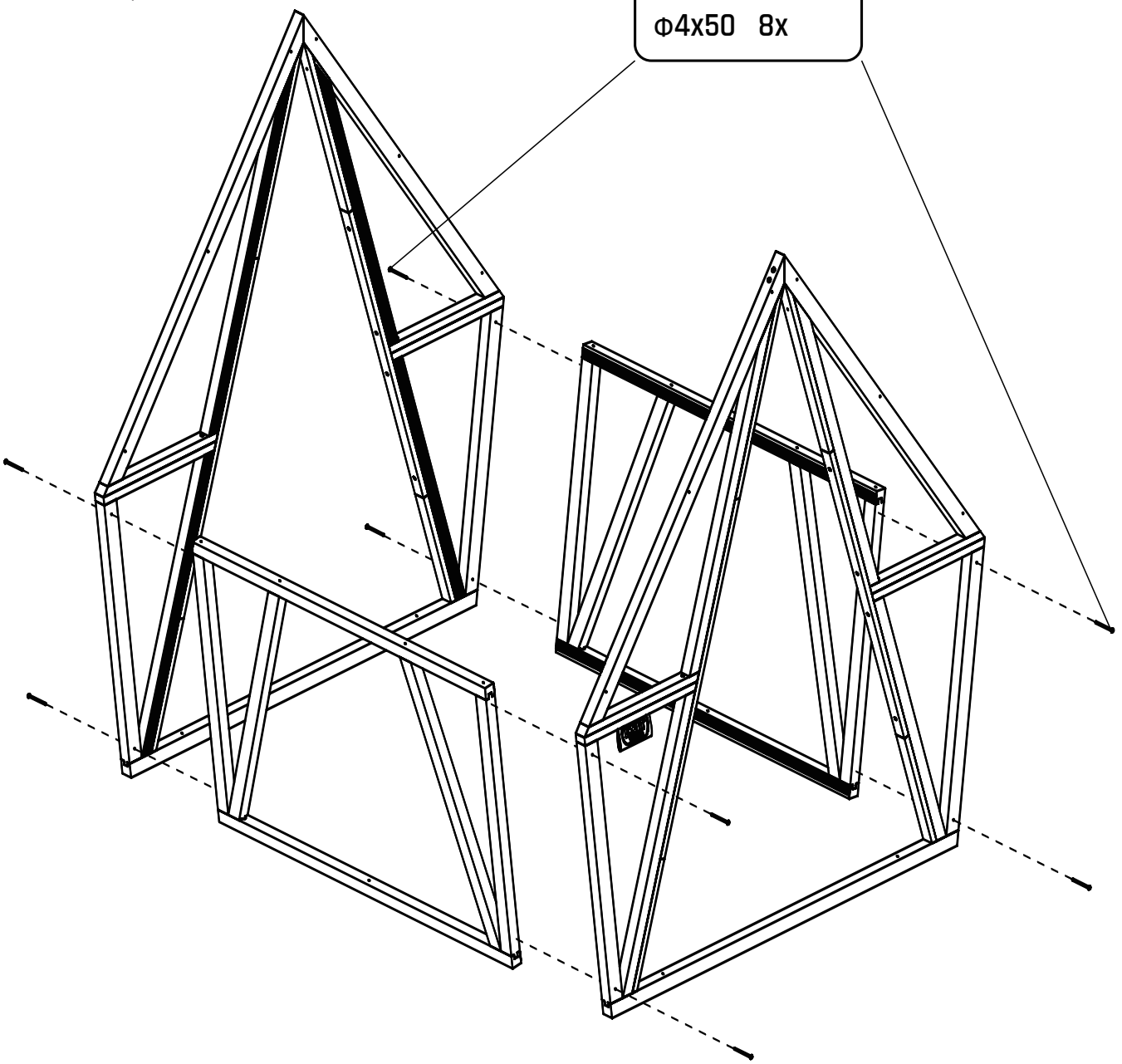
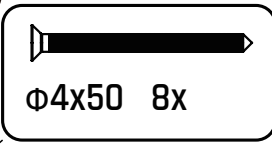
6



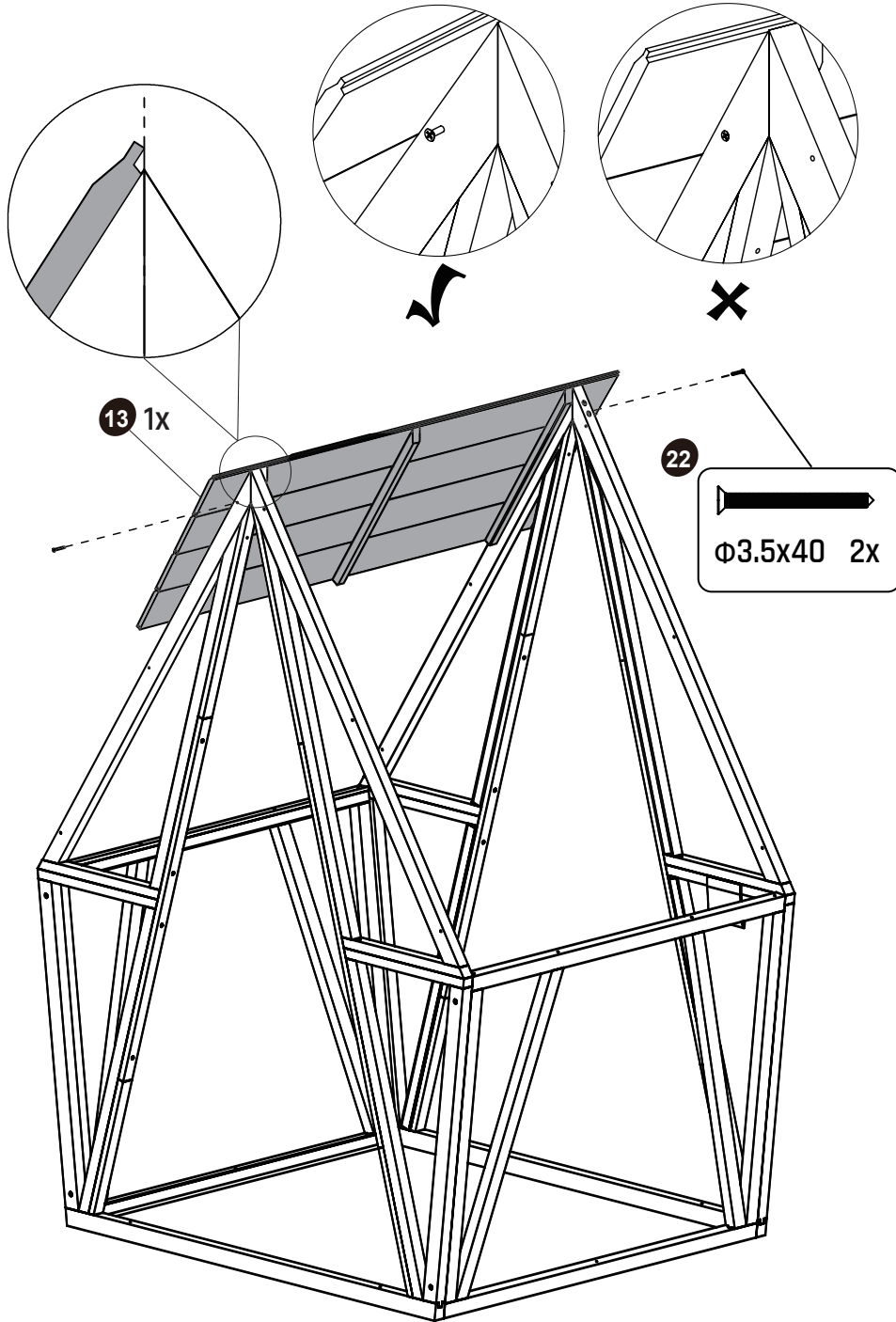
x2

7

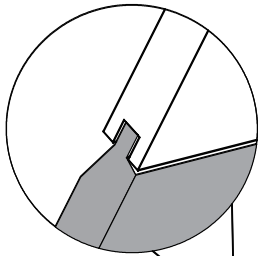
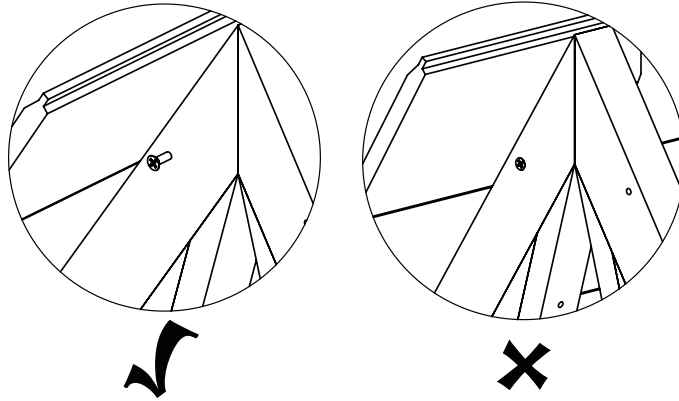
21



8

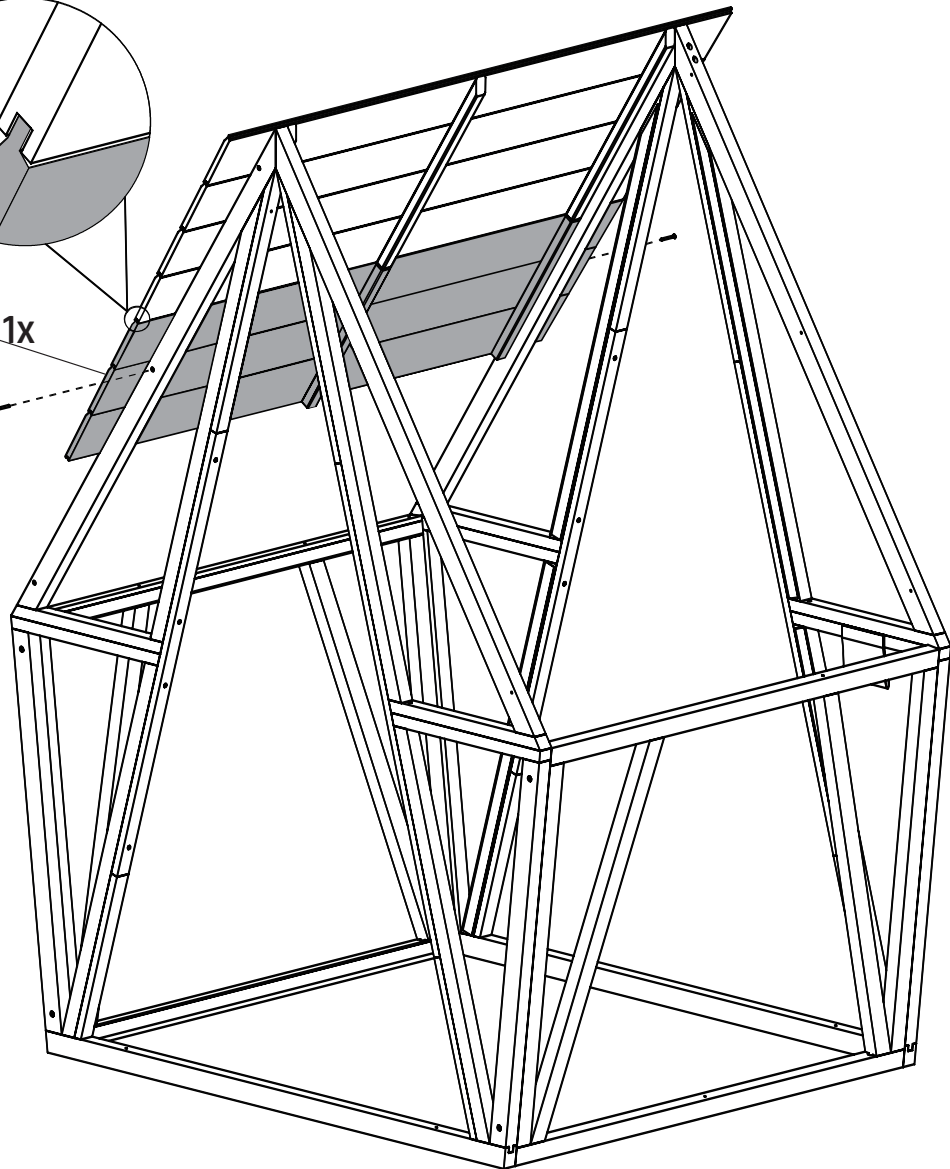
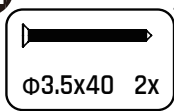


9

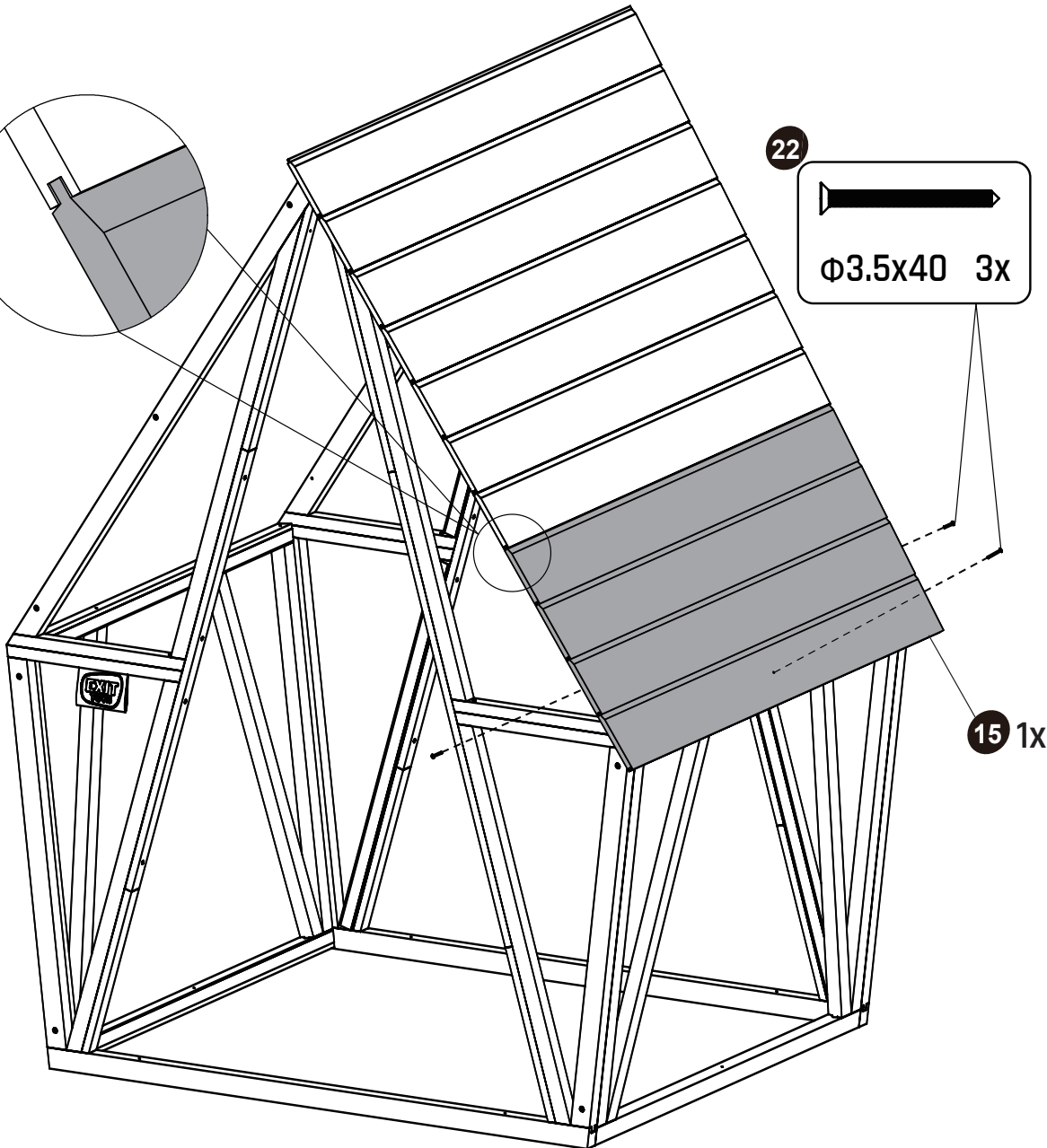
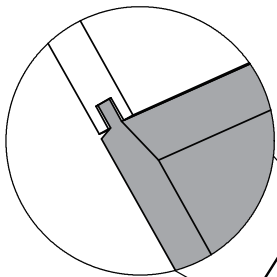
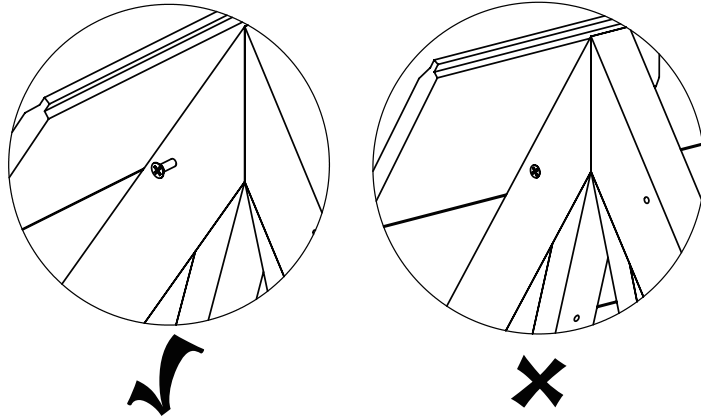


14 1x

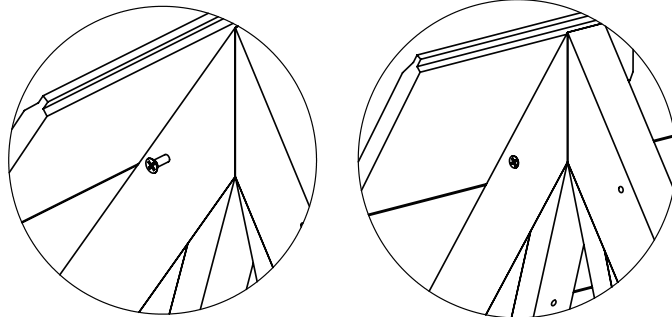
22



10



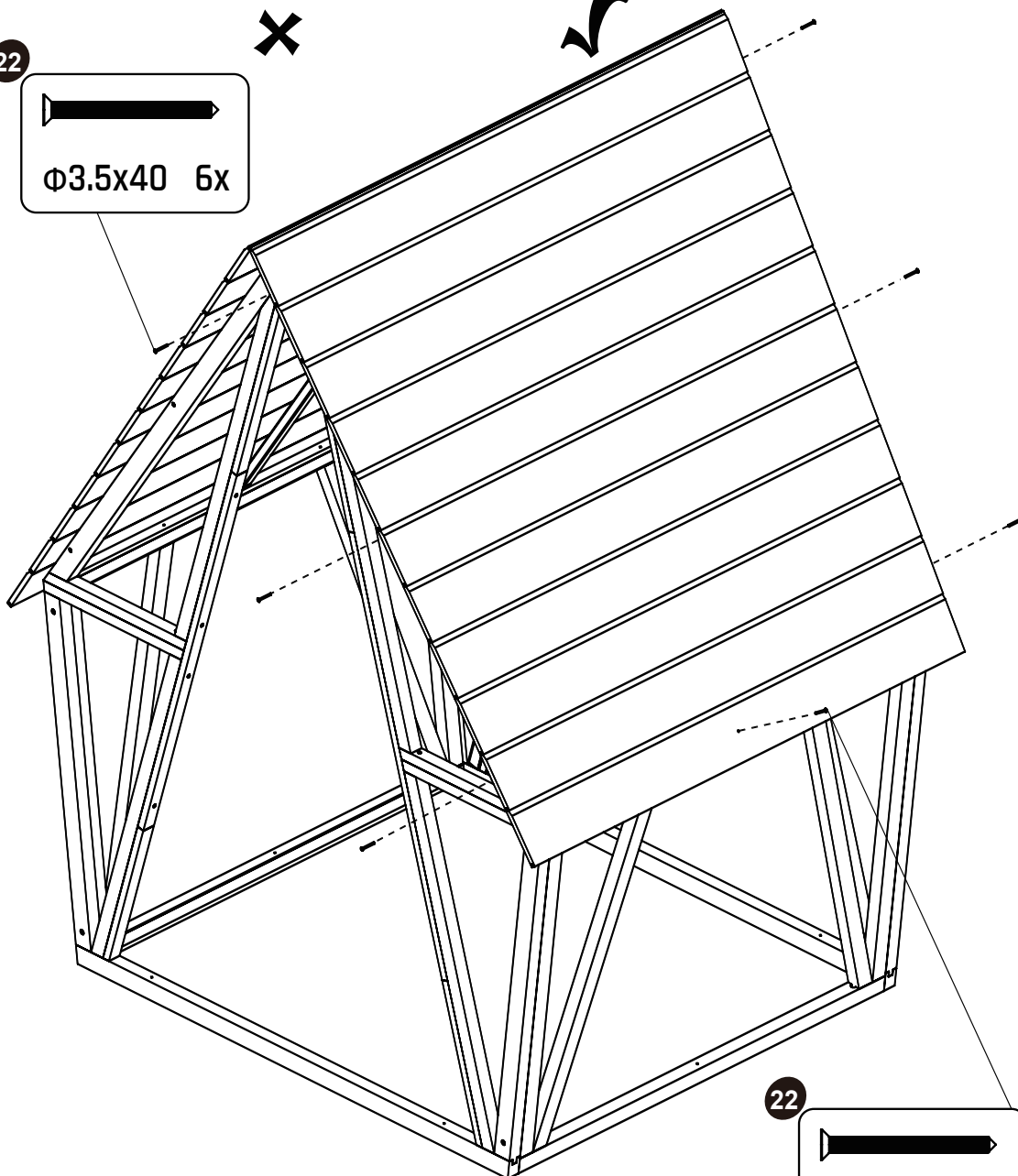
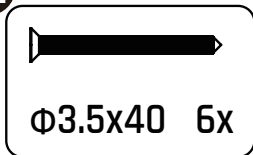
11



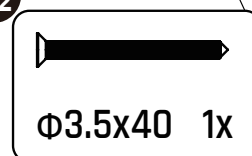
X



22



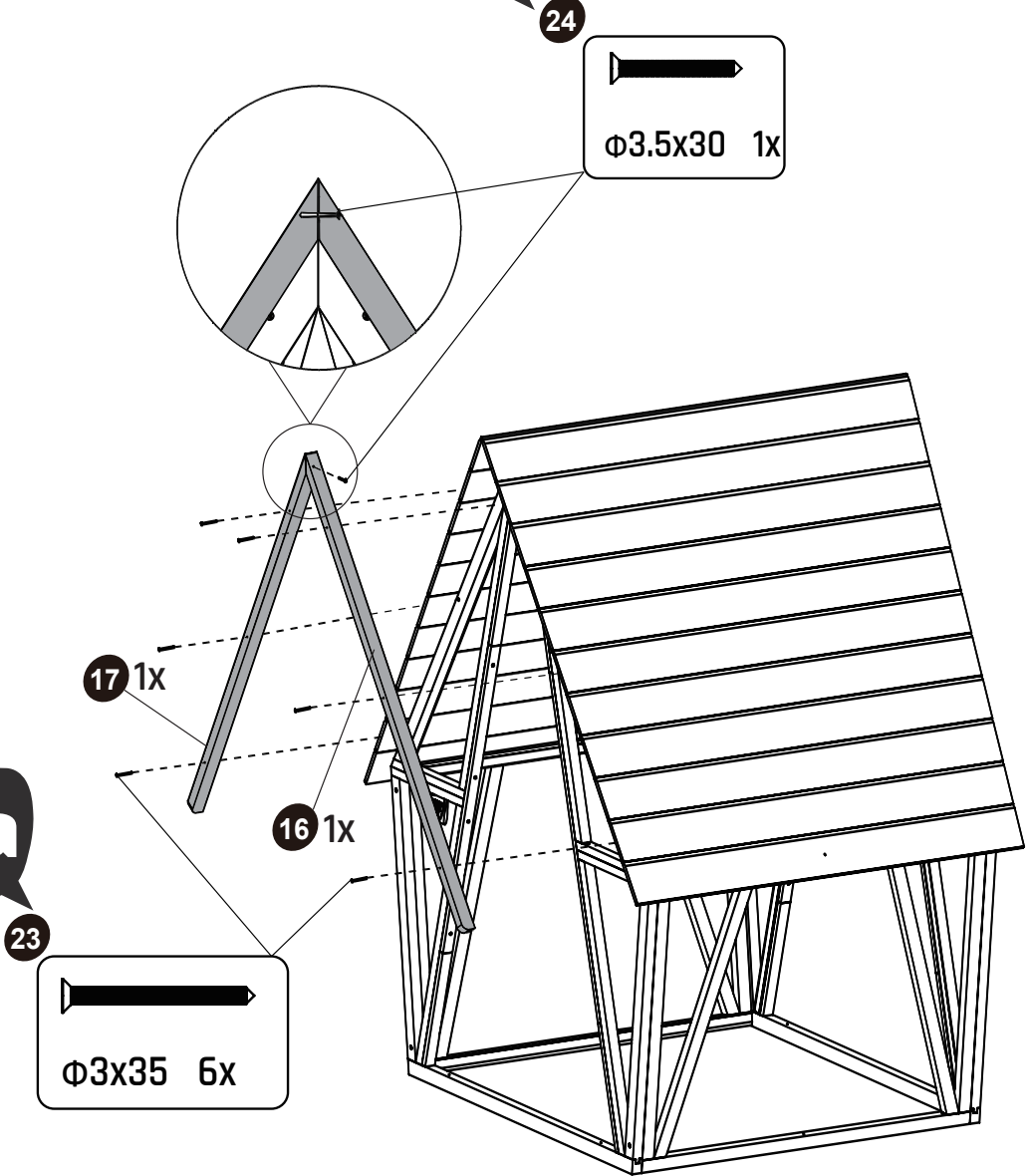
22



12

12b

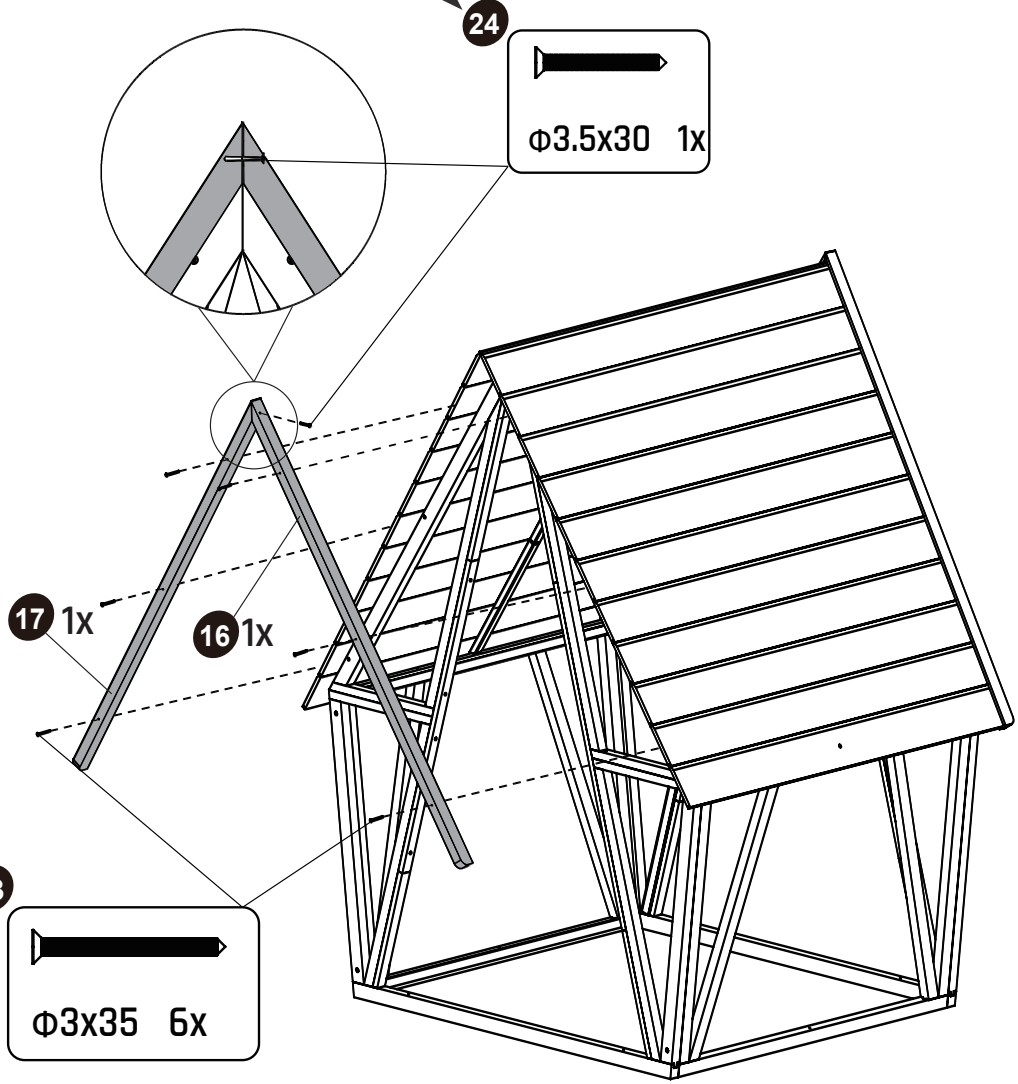
12a

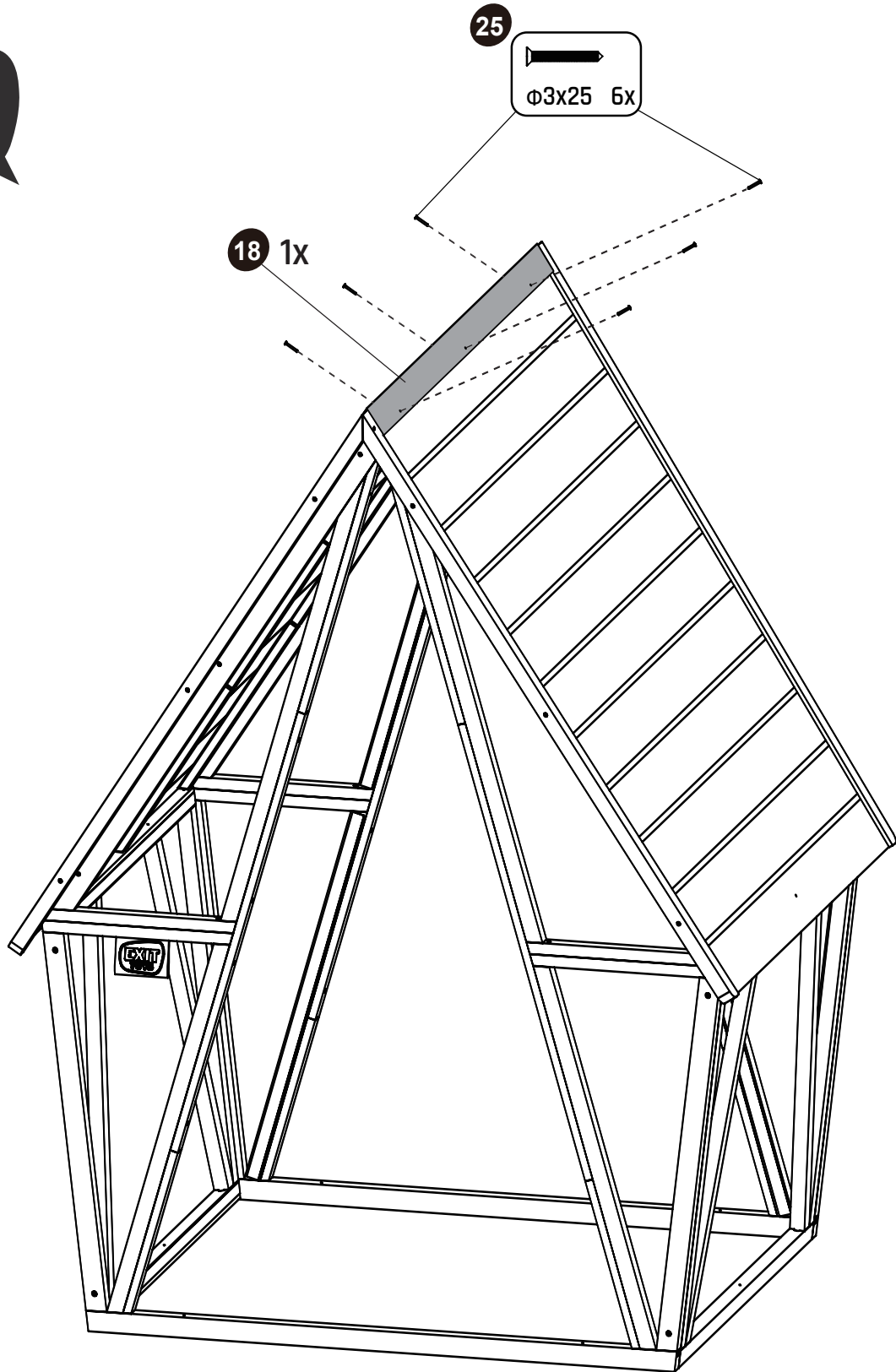


13

13b


13a



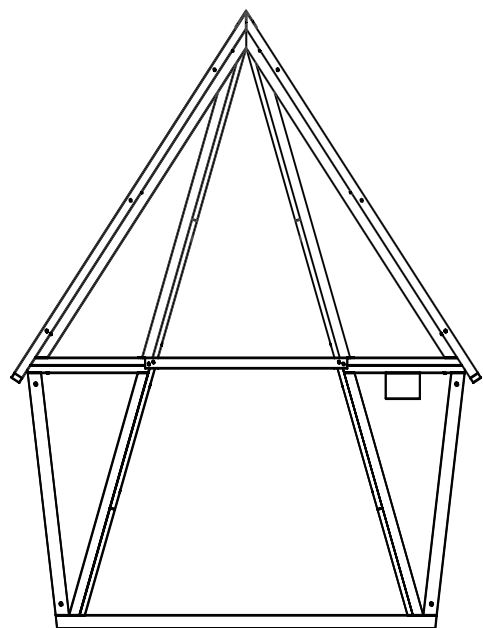
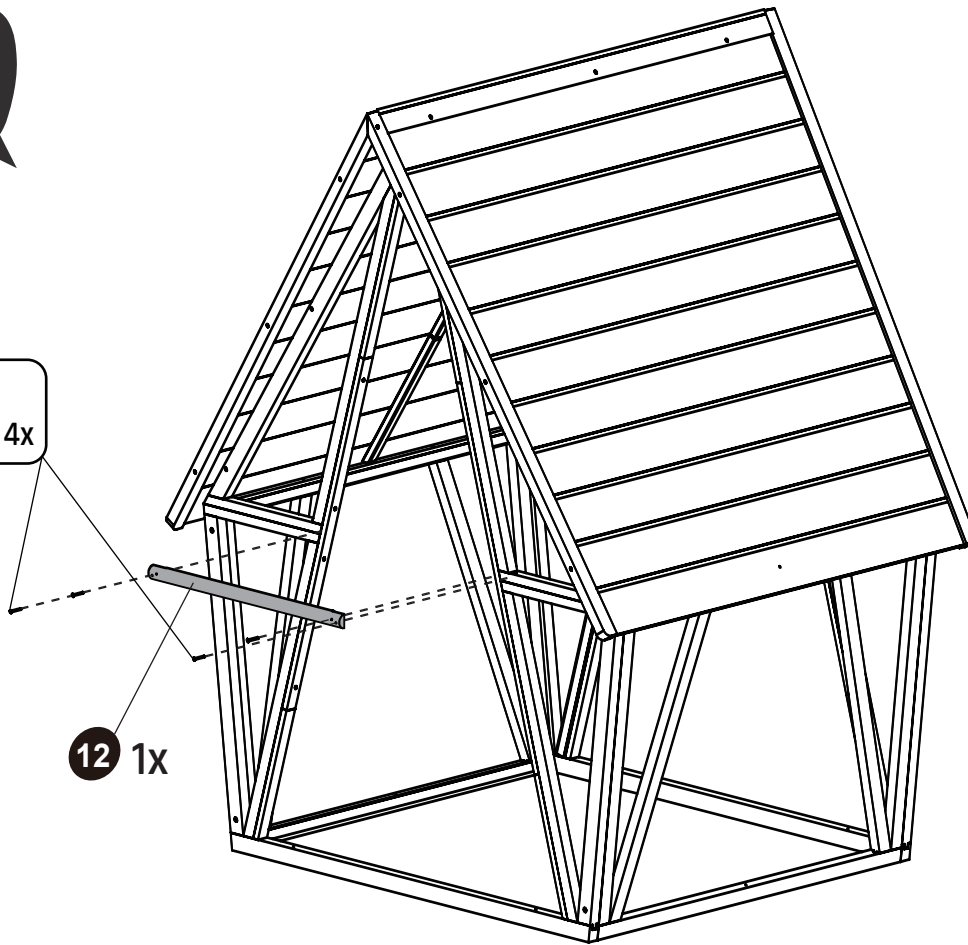


15

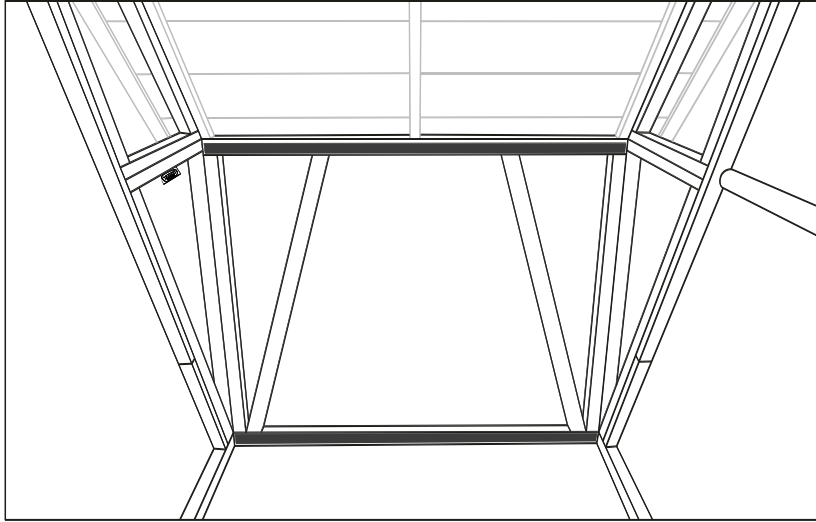
23


Ø3x35 4x

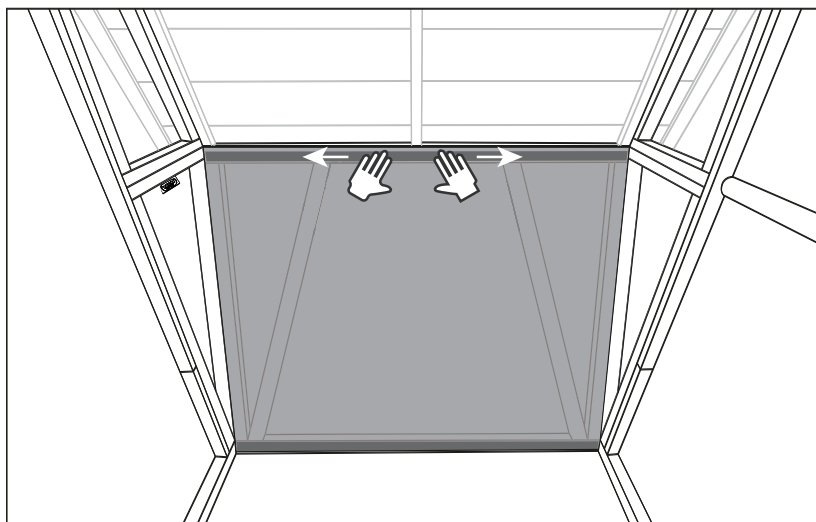
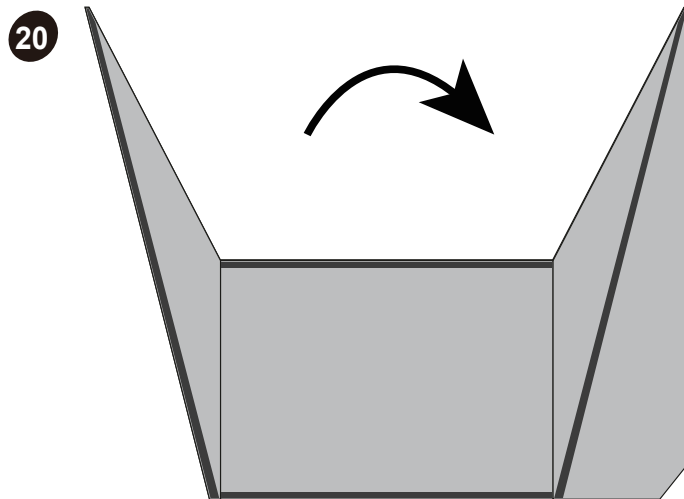
12 1x



16

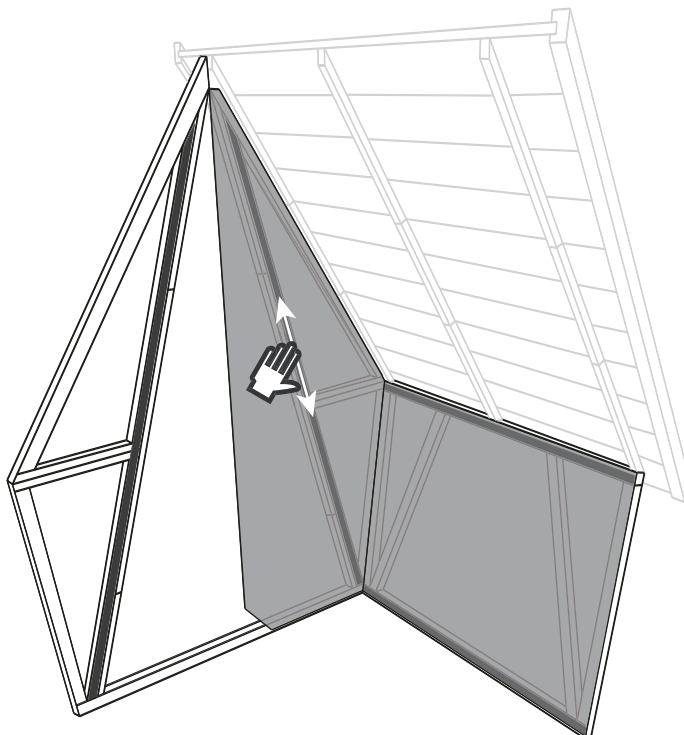
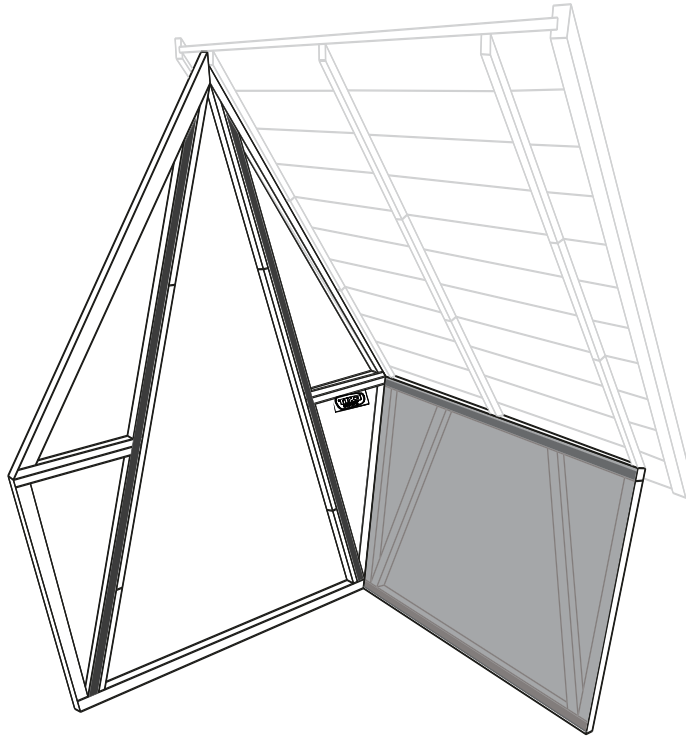


x2



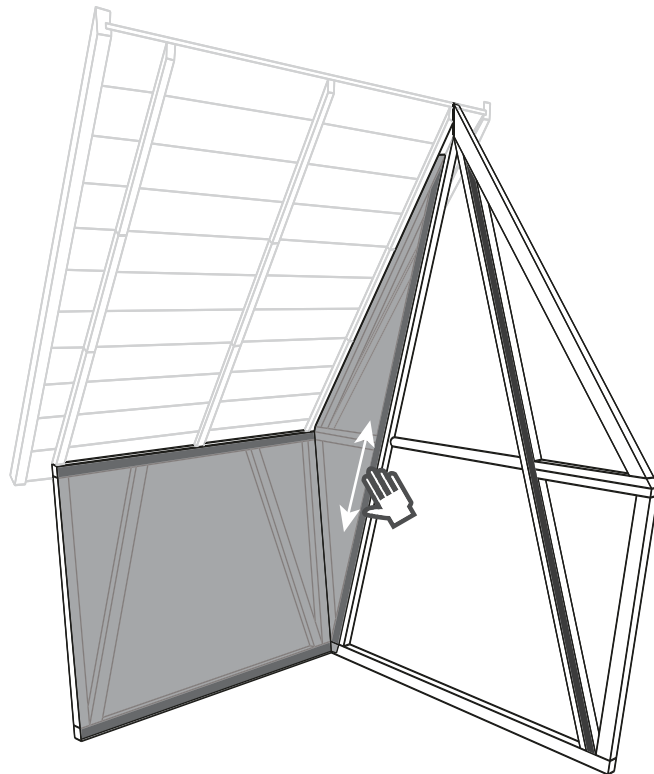
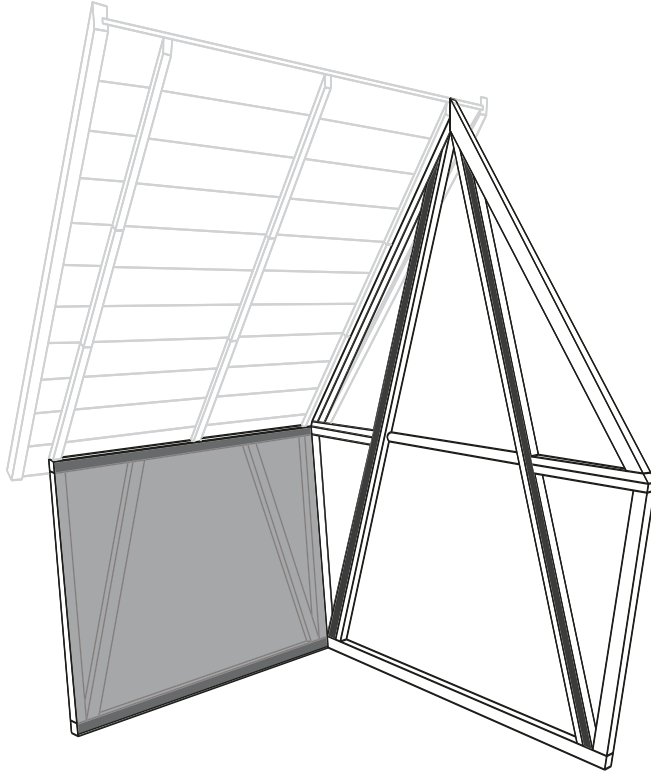
17

x2

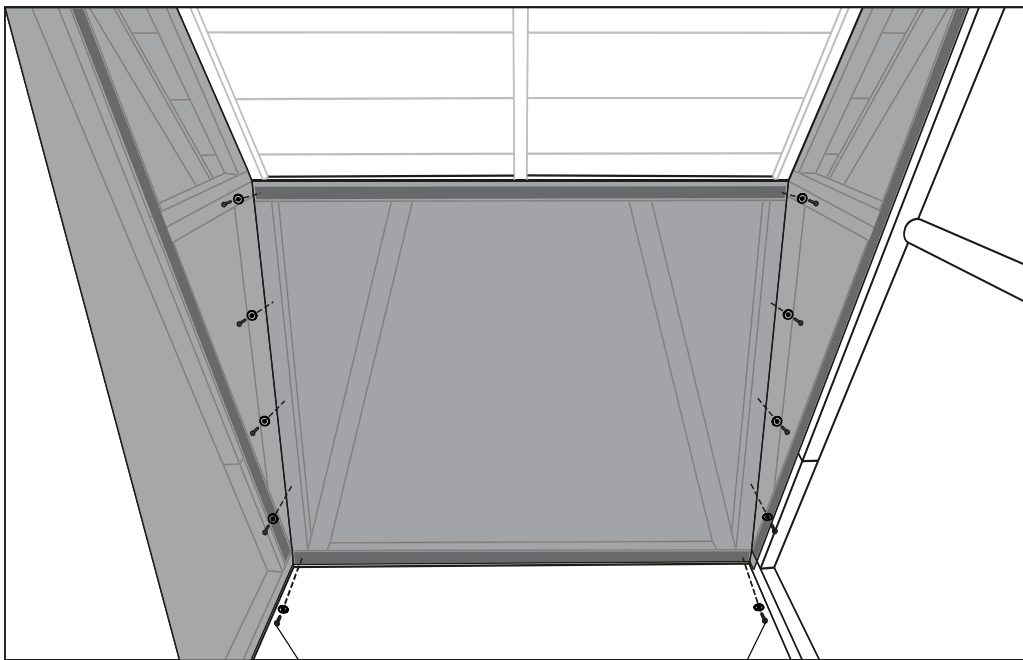
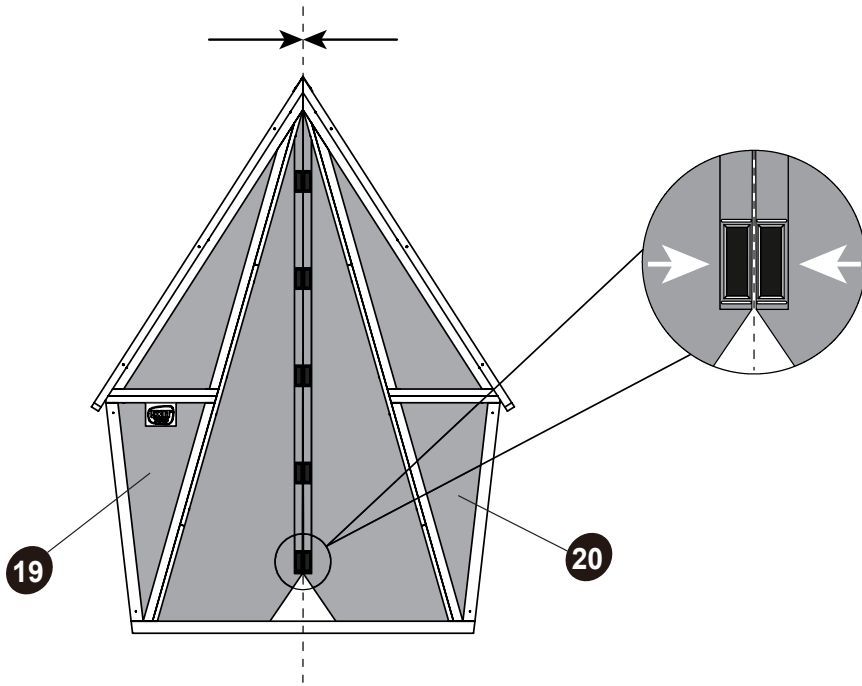


18

x2





19



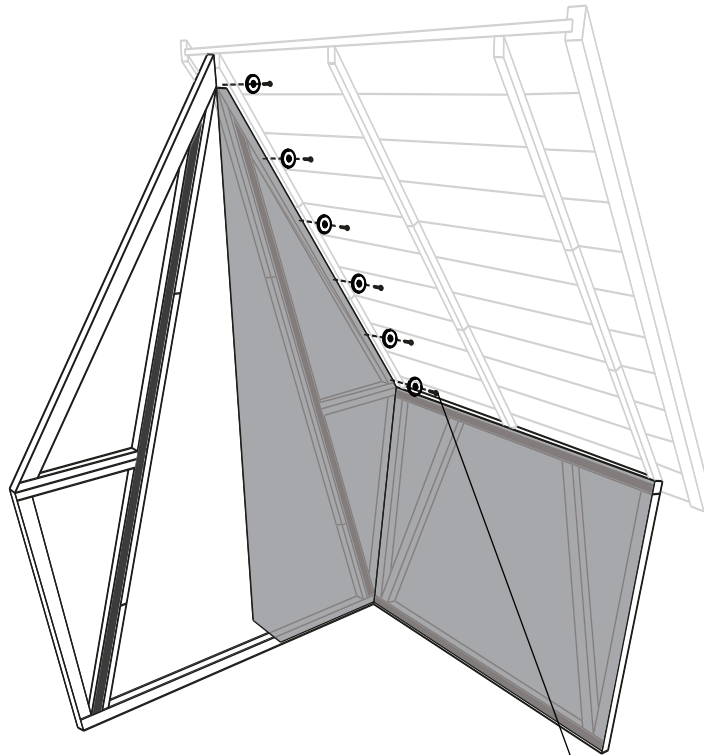
x2

26



		10pcs
$\Phi 4 \times 12$	$\Phi 4 \times \Phi 14$	

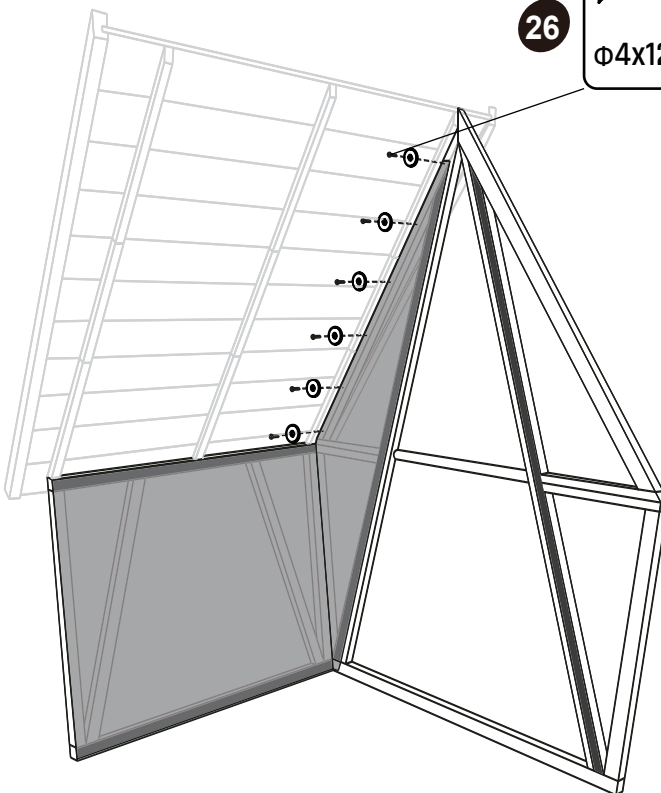
20

x2

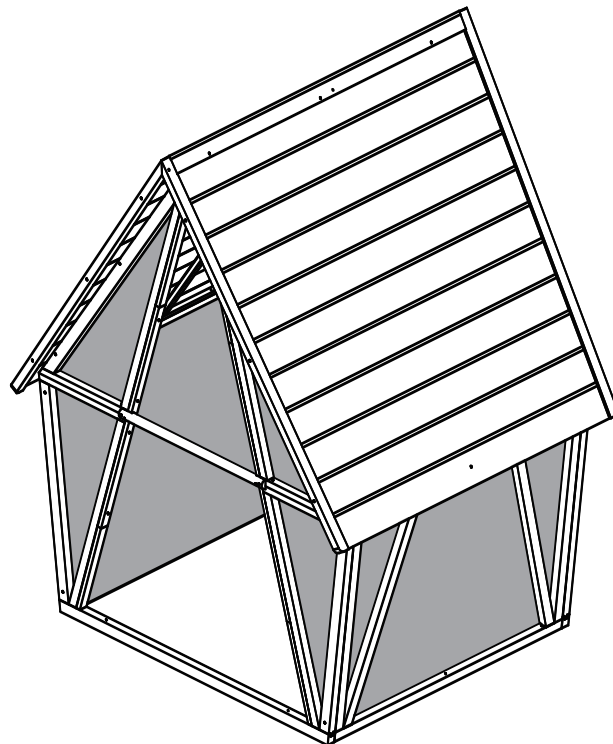
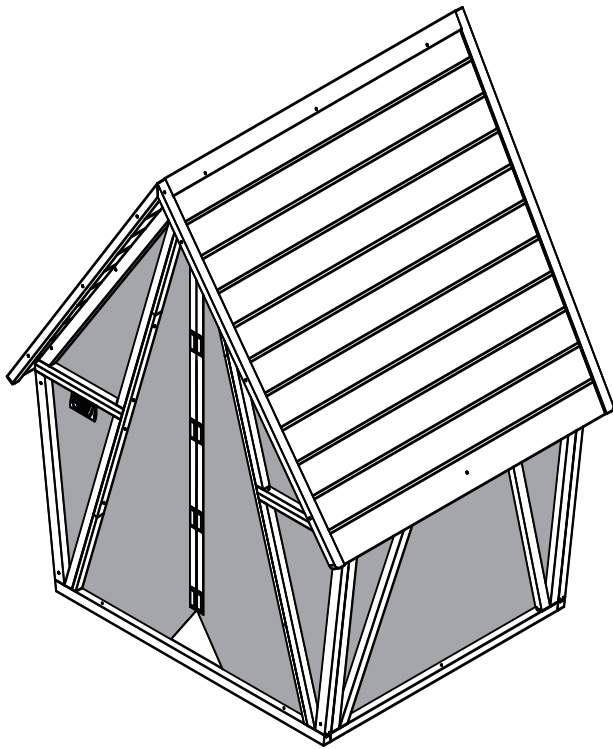


26

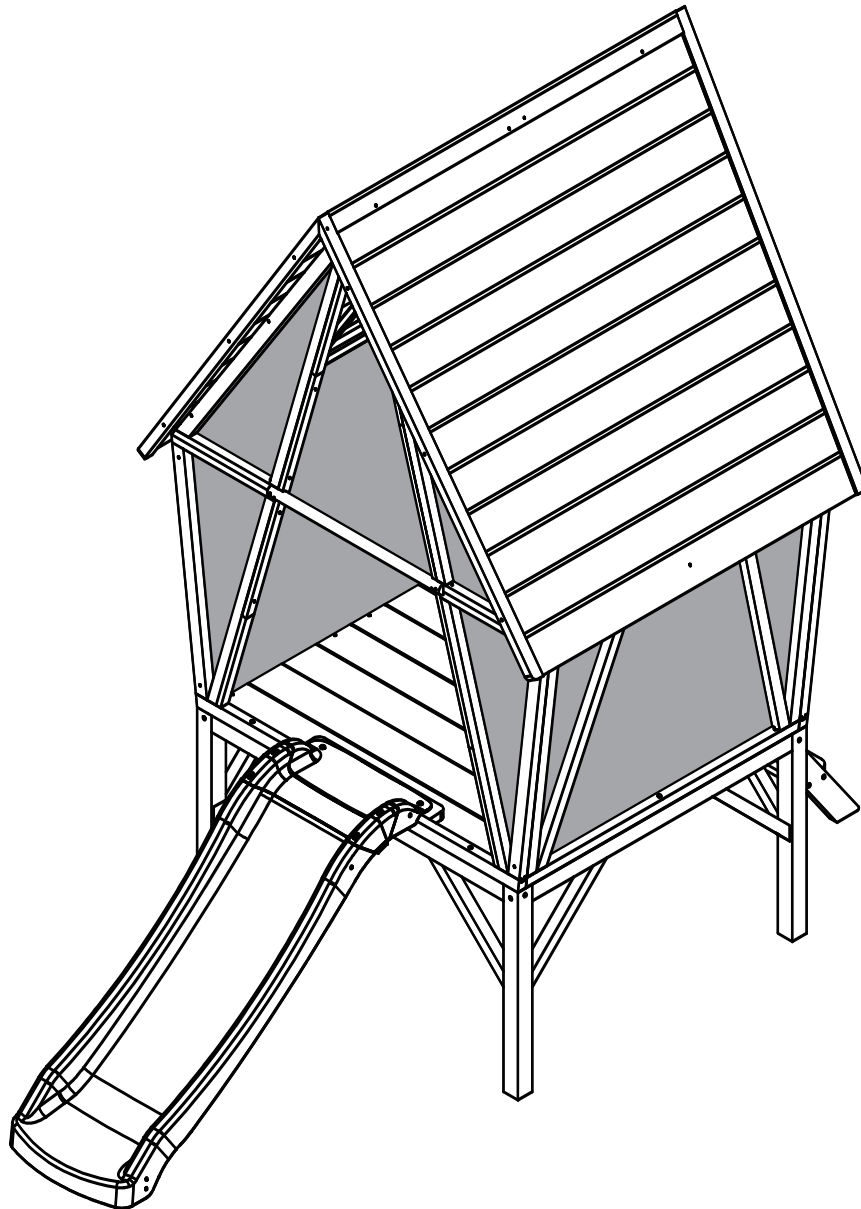
		12pcs
$\phi 4 \times 12$	$\phi 4 \times \phi 14$	



Yuki 100

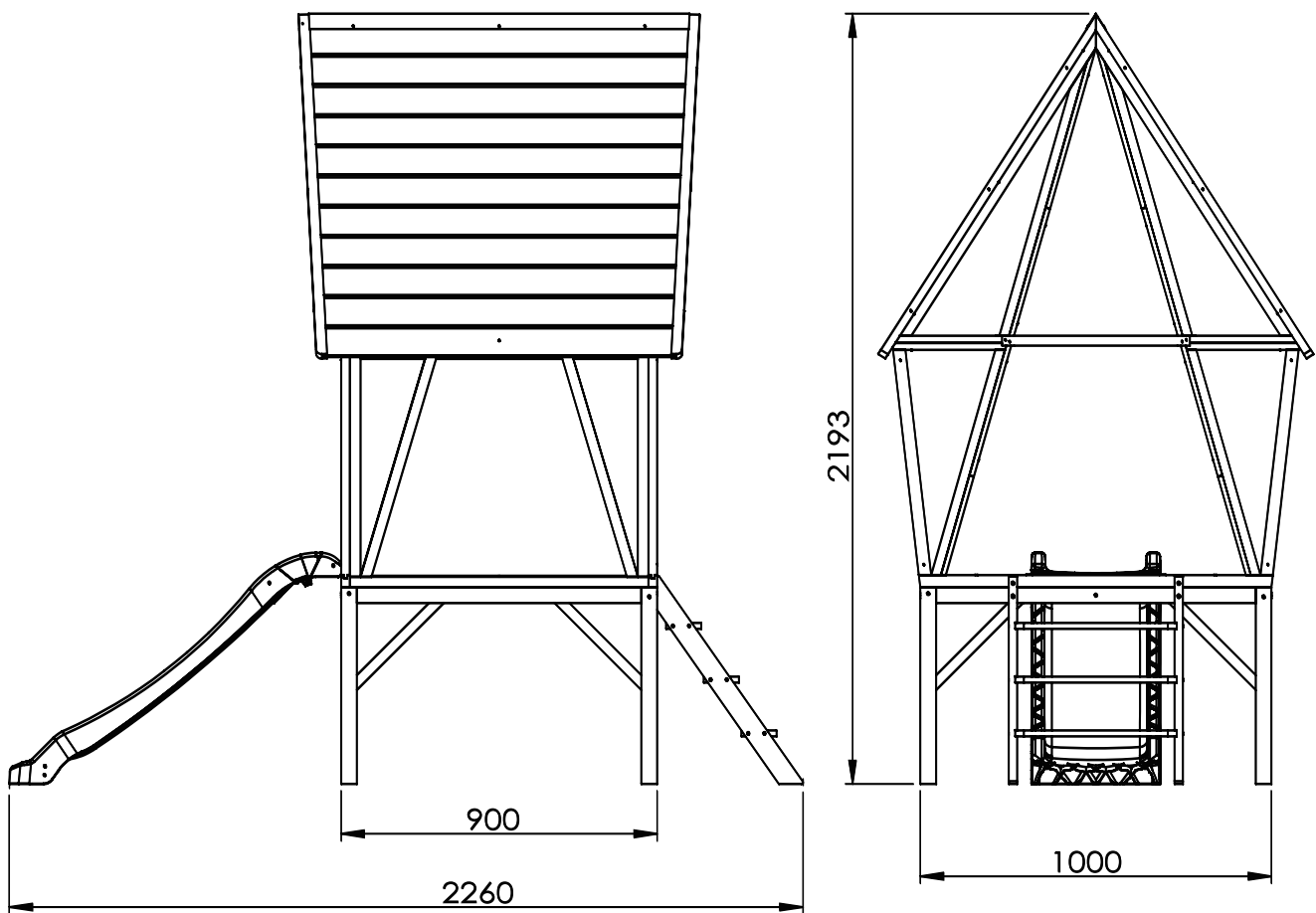


Yuki 300

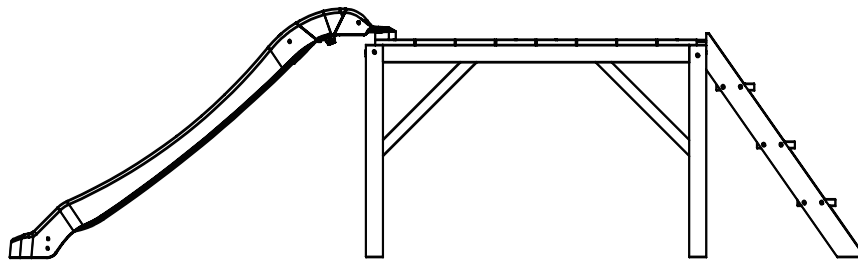
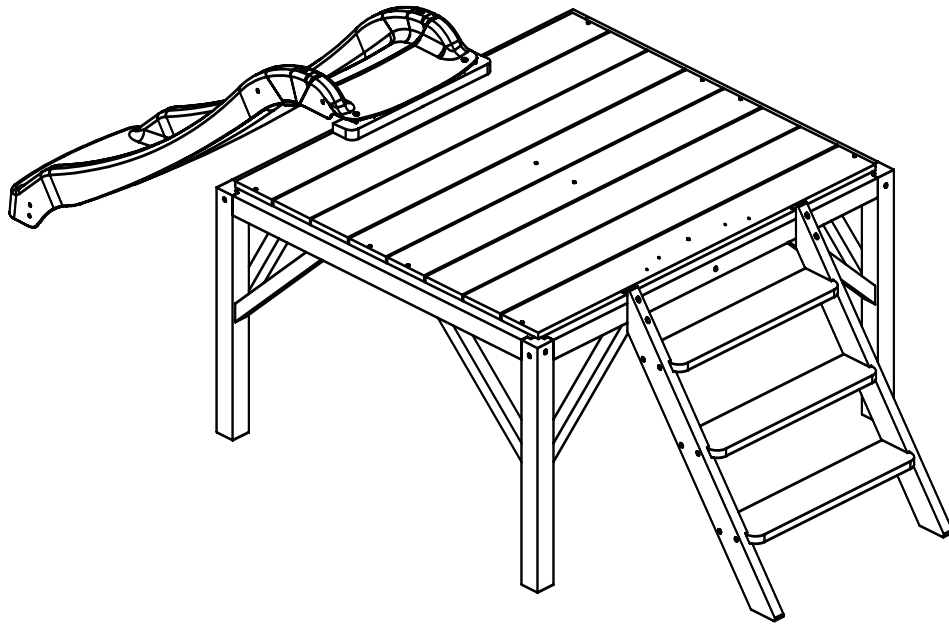


Playhouse

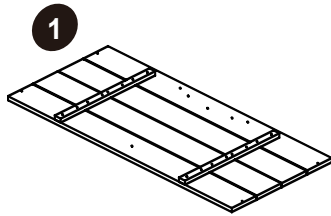
EXIT Yuki



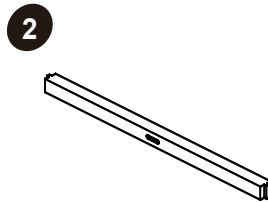
Platform 300



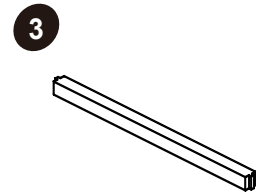
 **13kg**



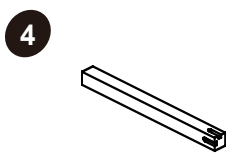
68.70.40.01 | 2x



68.70.40.02 | 2x



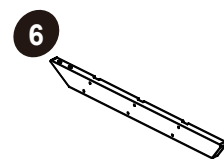
68.70.40.03 | 3x



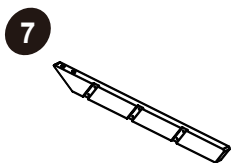
68.70.30.01 | 4x



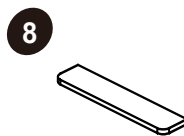
68.70.40.04 | 8x



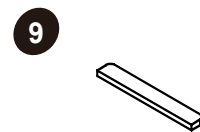
68.70.30.02 | 1x



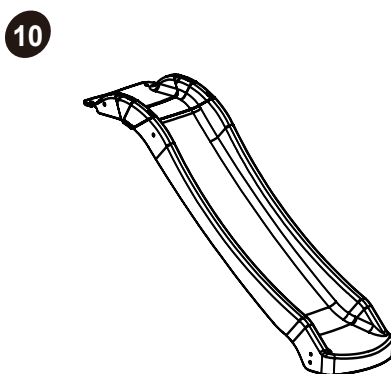
68.70.30.03 | 1x *



68.70.40.05 | 3x



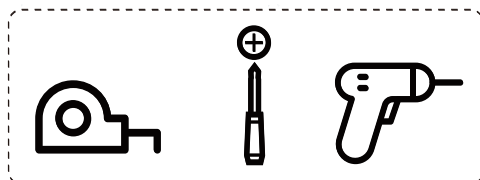
68.70.30.04 | 1x



69.53.10.10 | 1x

68.70.30.80

- | | | | |
|----|-------------|----|------------|
| 11 | | 12 | |
| | Φ4x70 12x | | Φ4x50 6x |
| 13 | | 14 | |
| | Φ3.5x40 12x | | Φ3x35 30x |
| 15 | | 16 | |
| | Φ3.5x30 4x | | Φ4.5x25 2x |



*

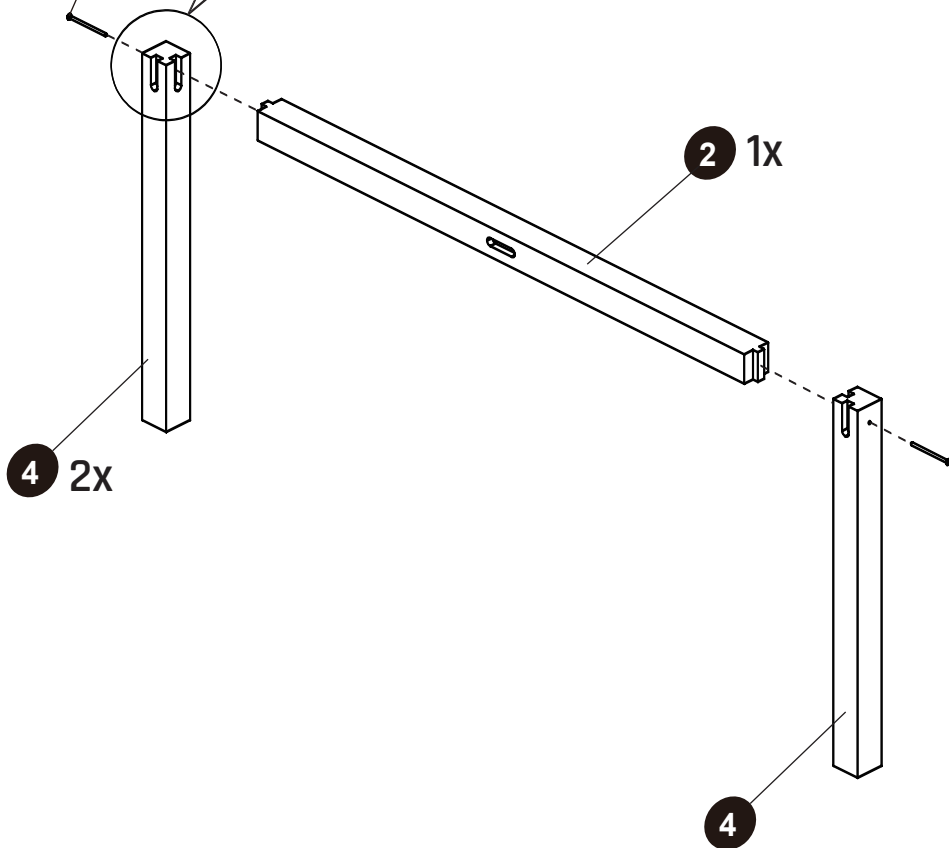
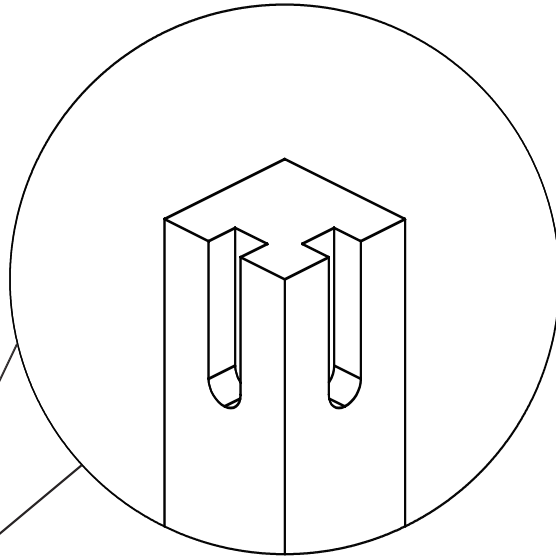
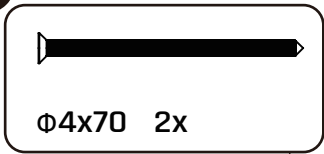
BOX REFERENCE:	XX.XXX
PRODUCTION ID:	XXX XXX

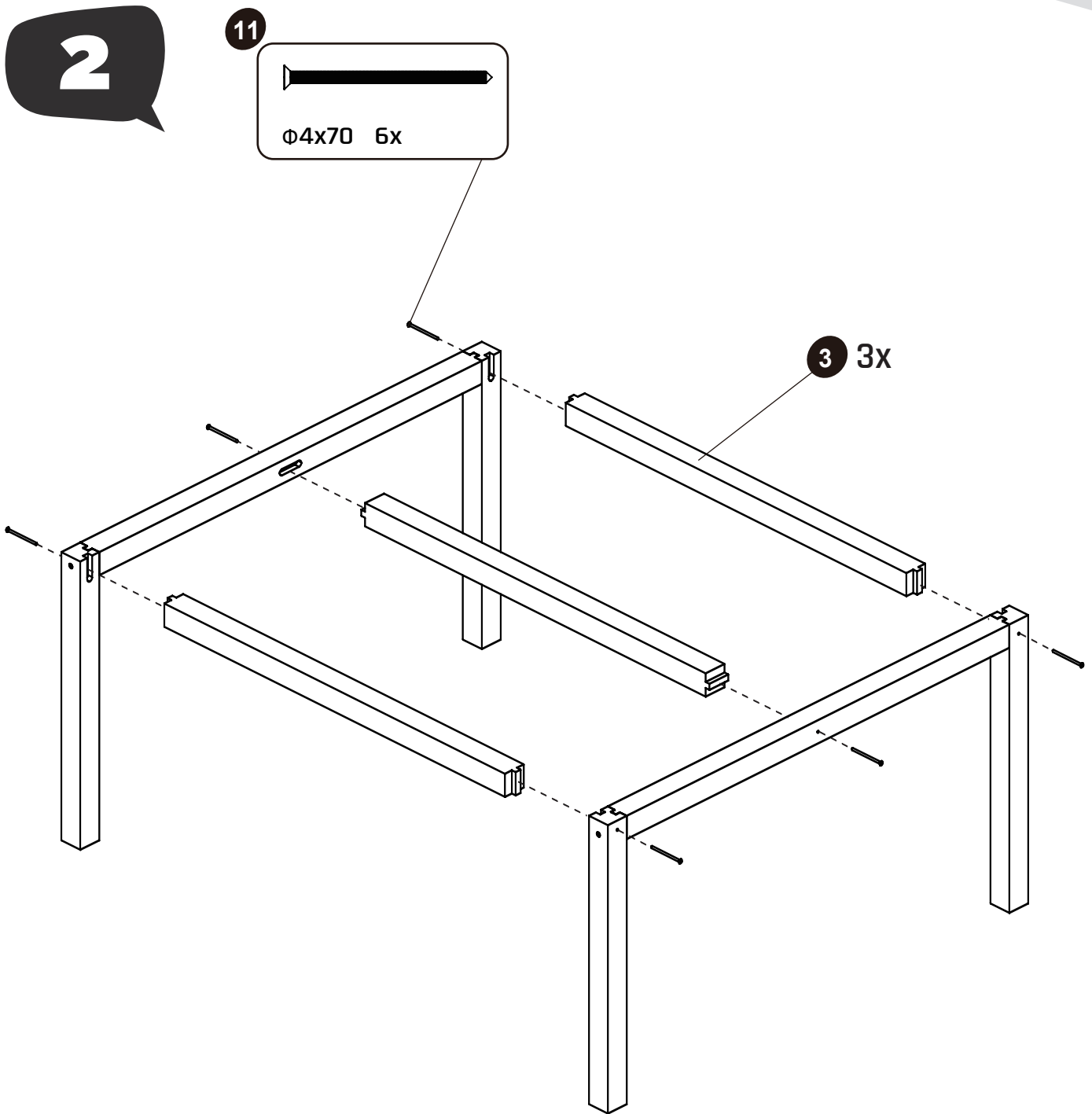


1

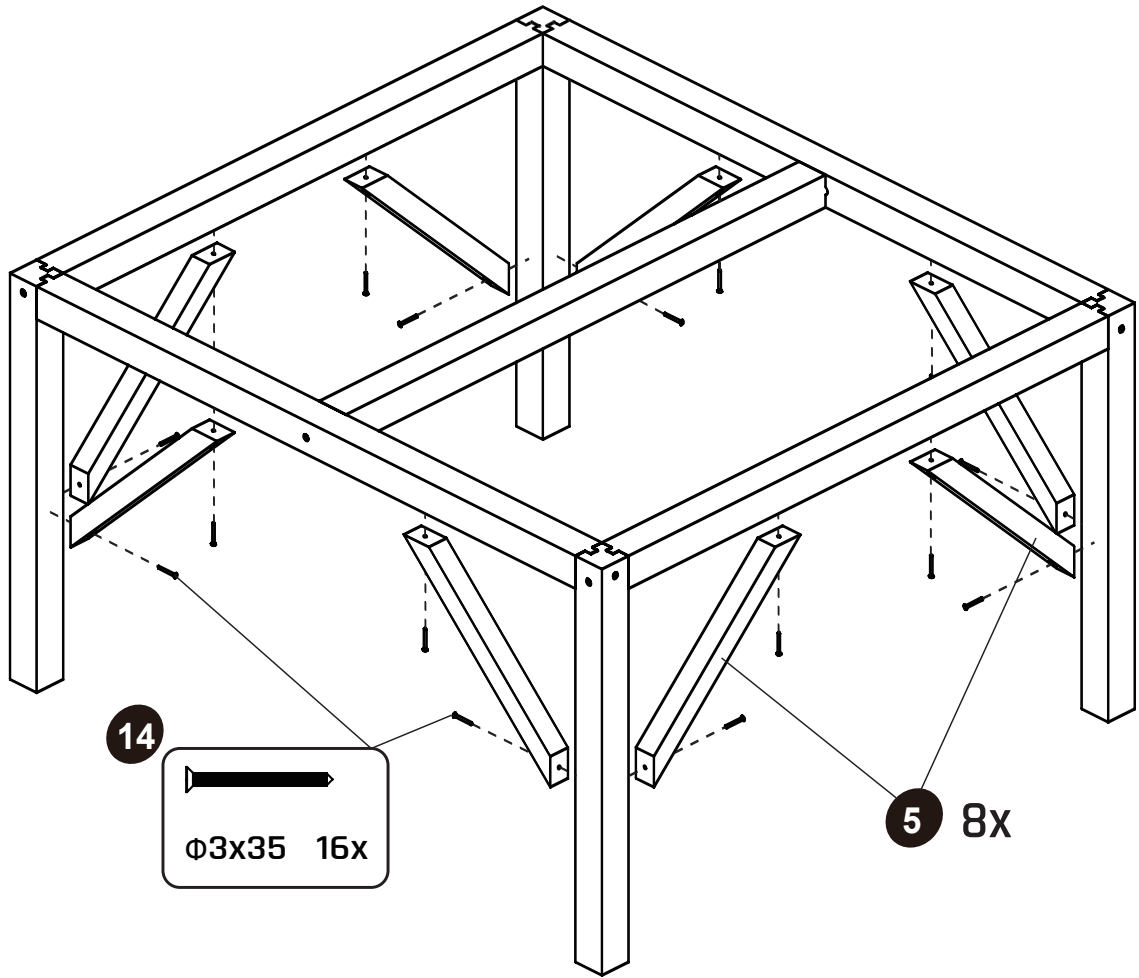
x2

11

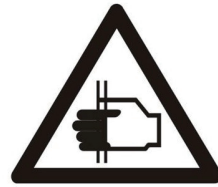




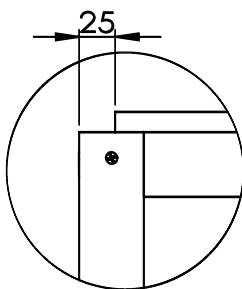
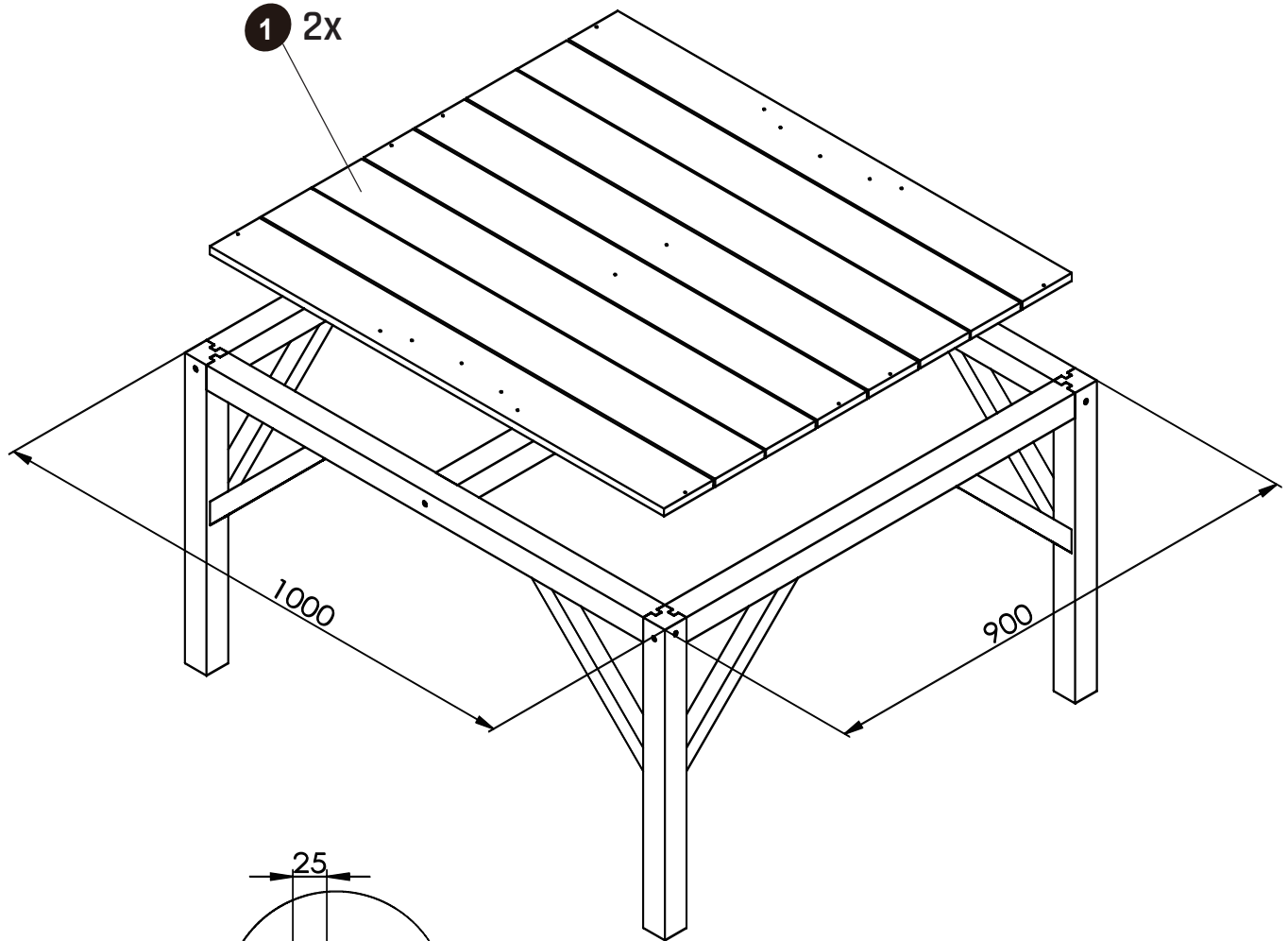
3



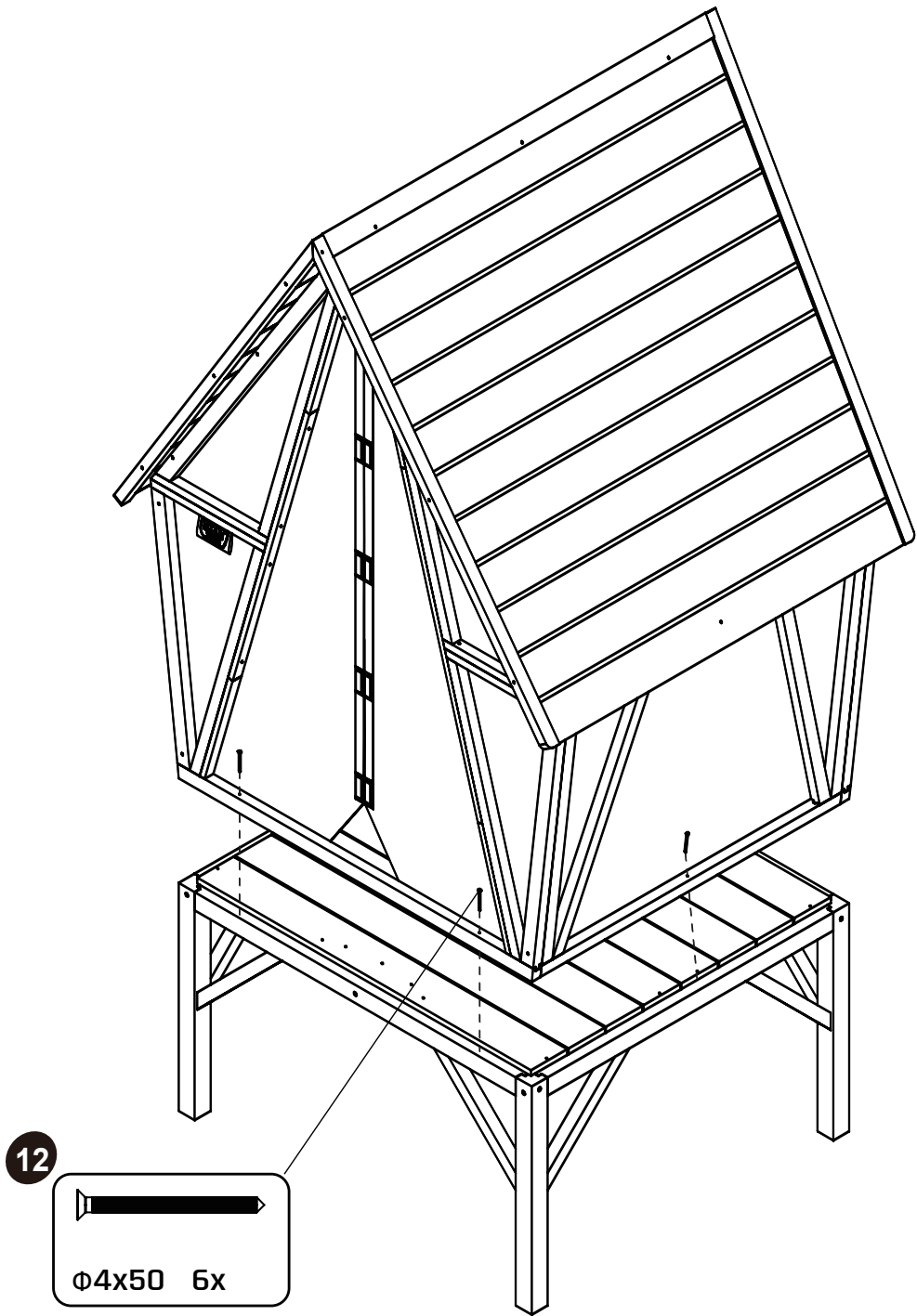
4



1 2x

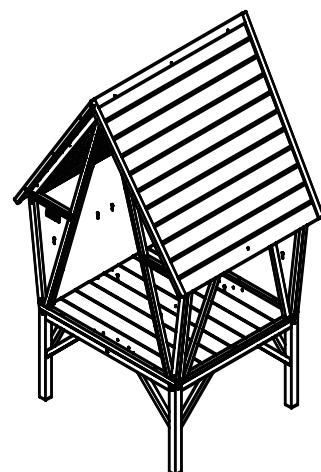
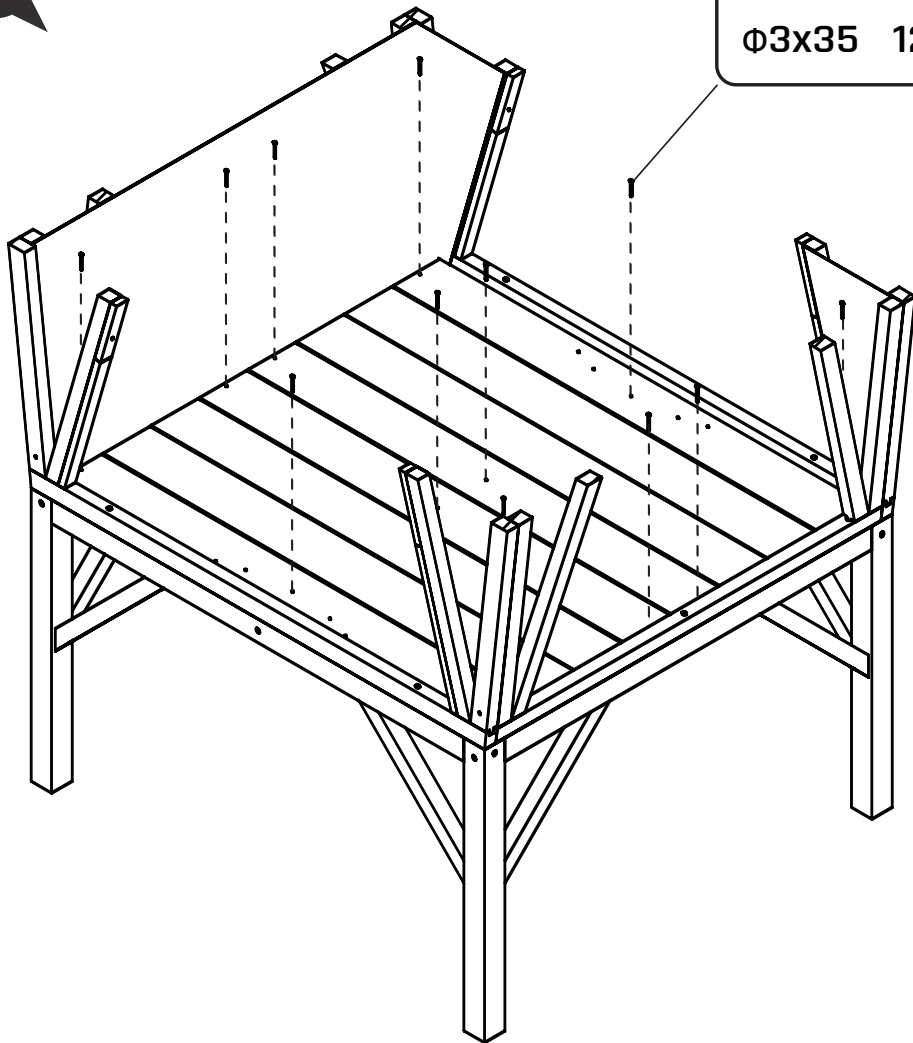
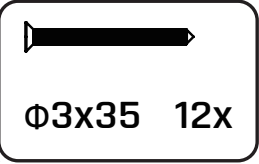


5

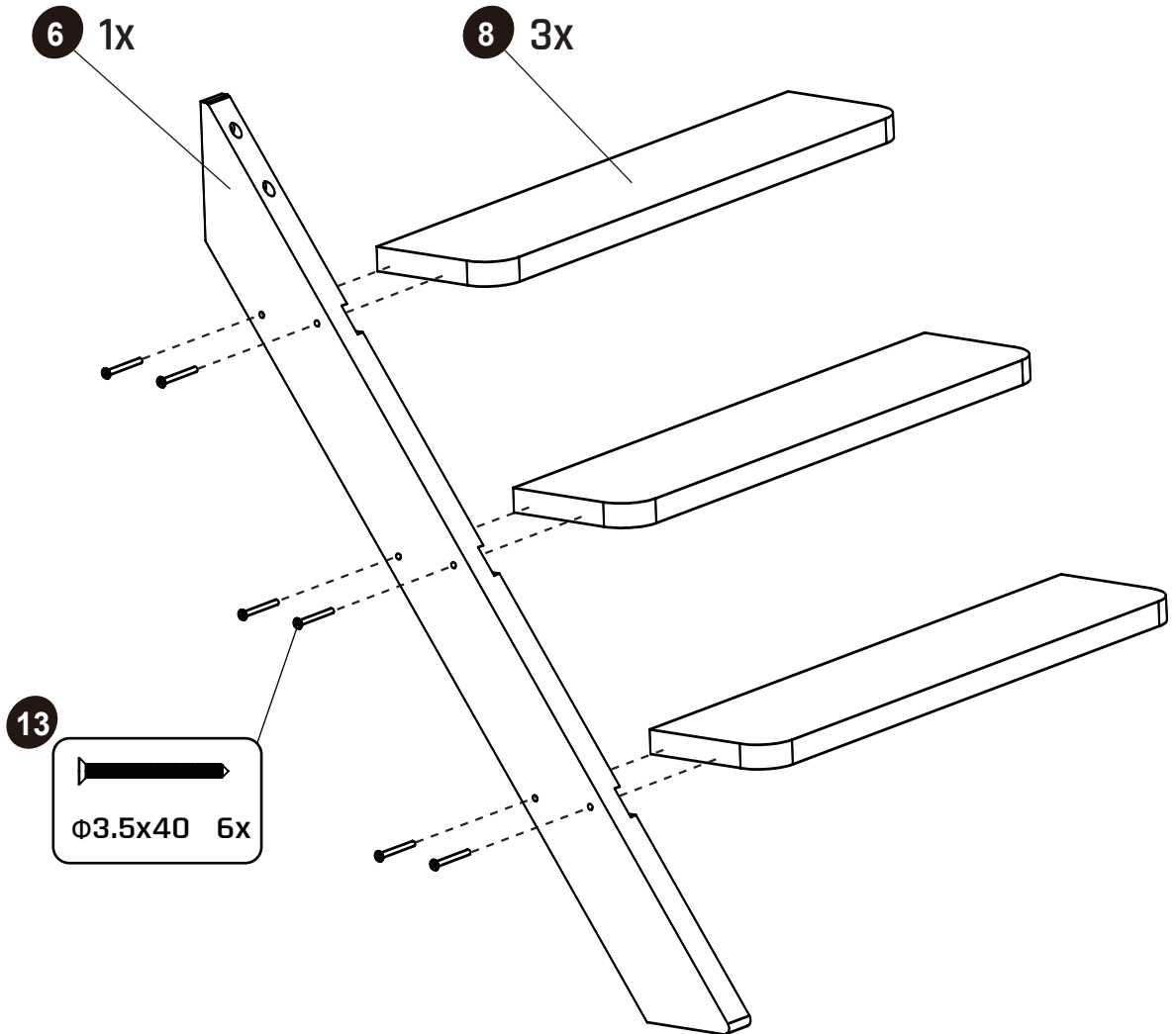
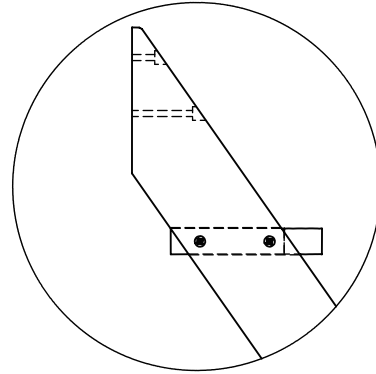


6

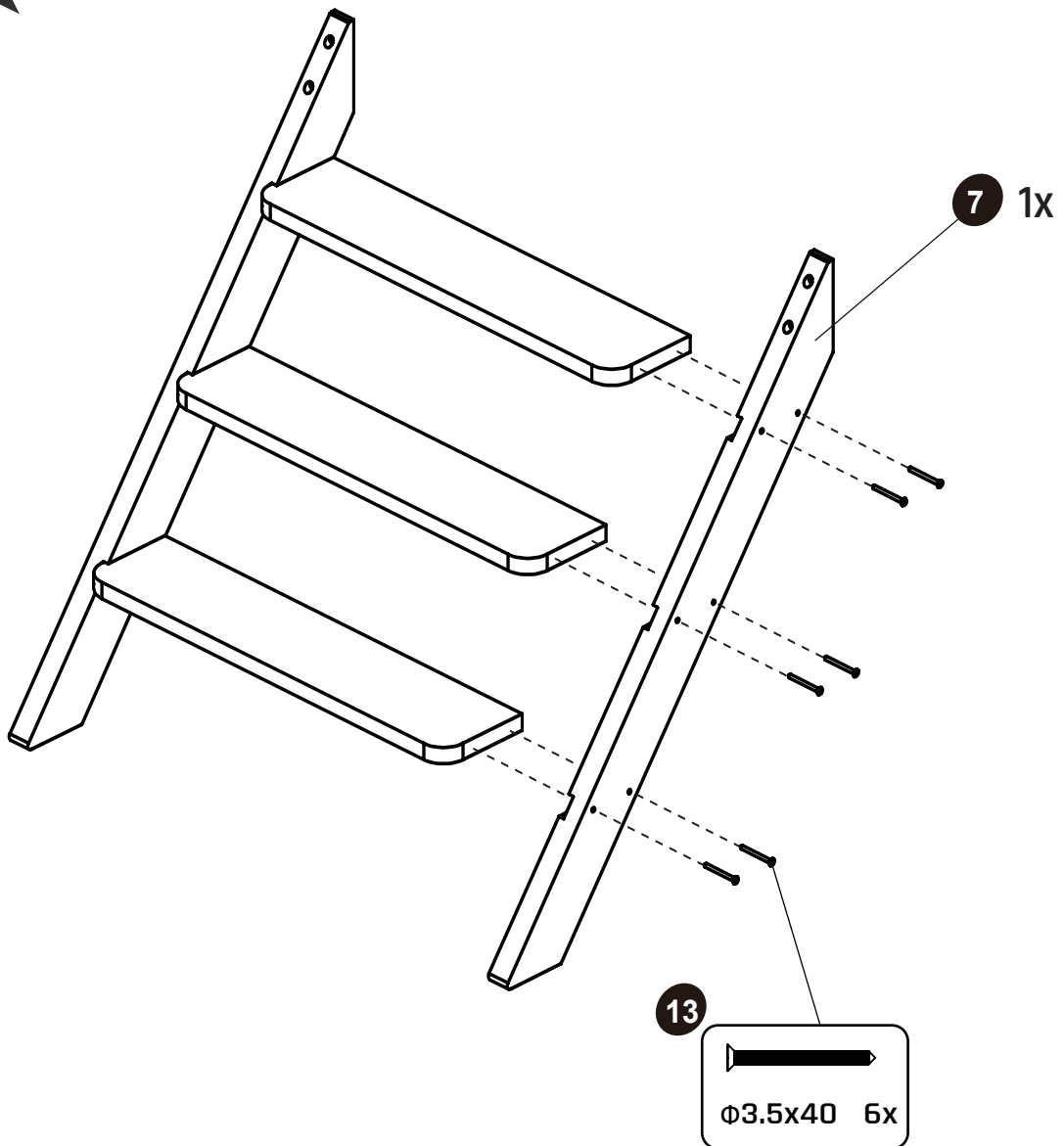
14



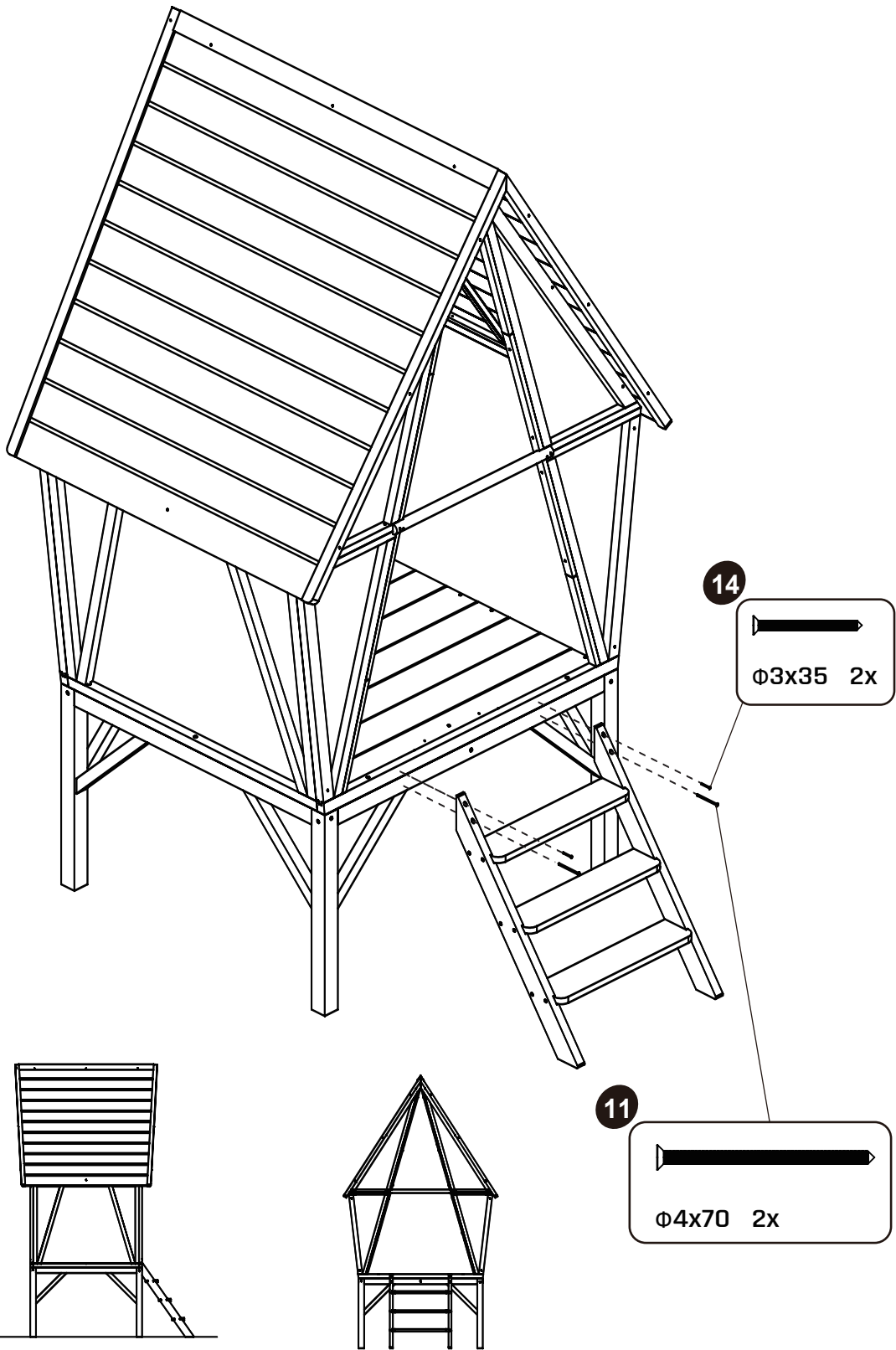
7



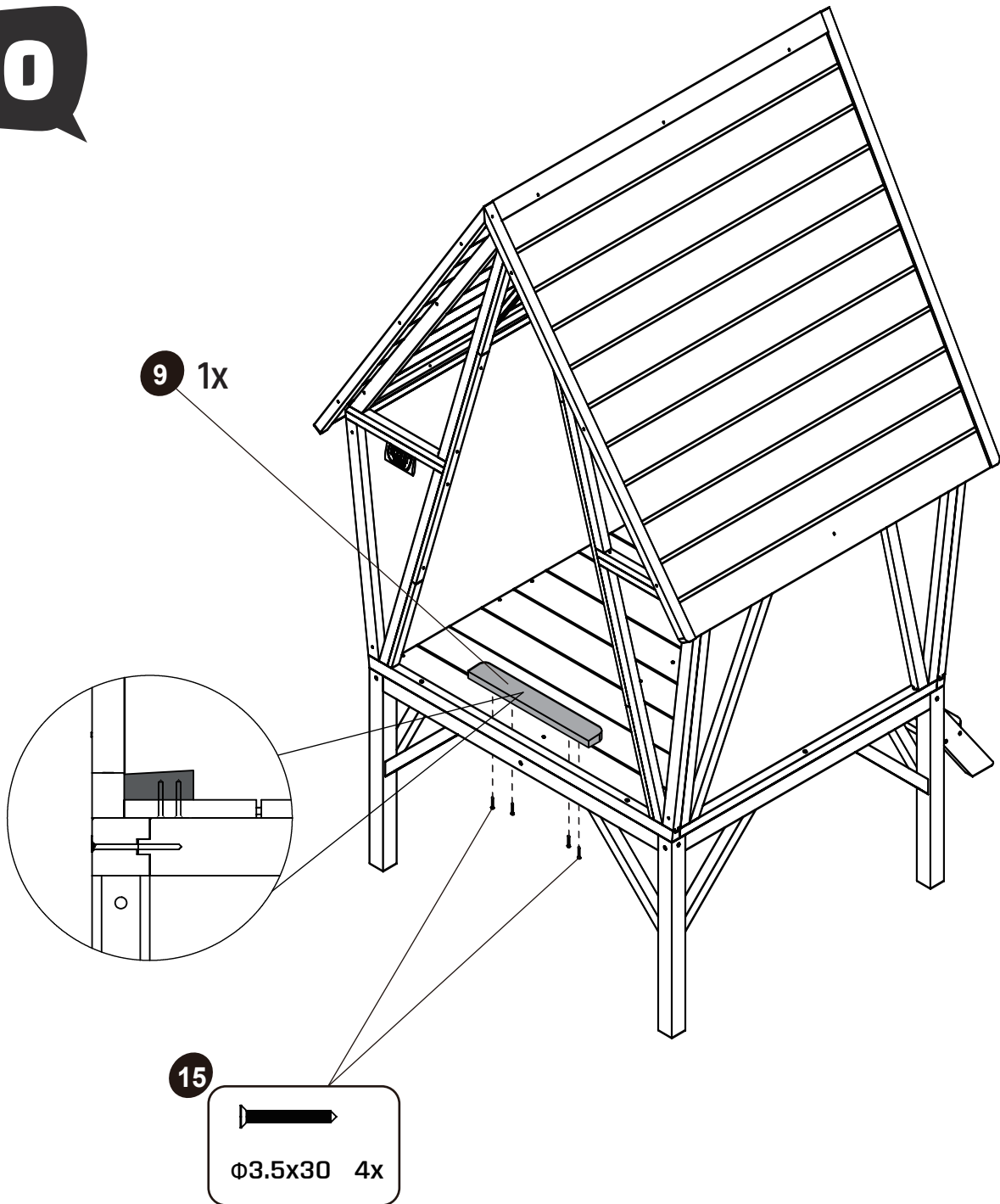
8



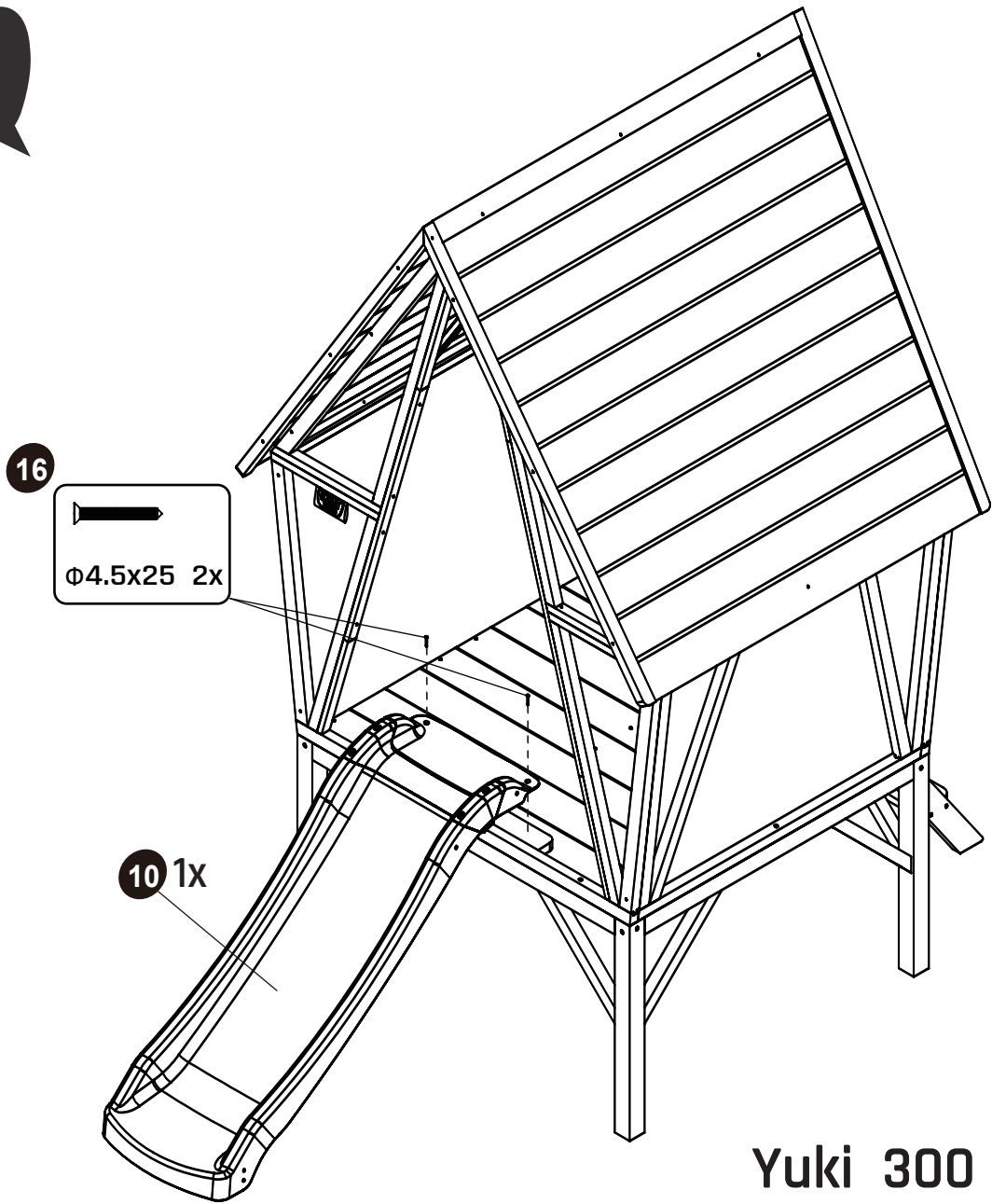
9



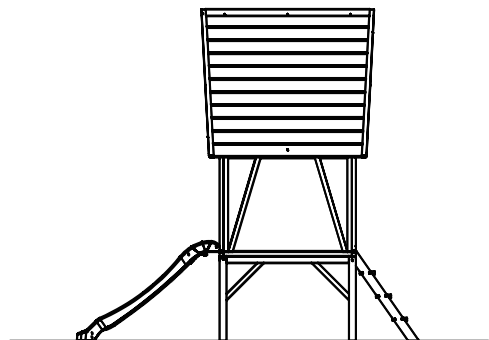
10



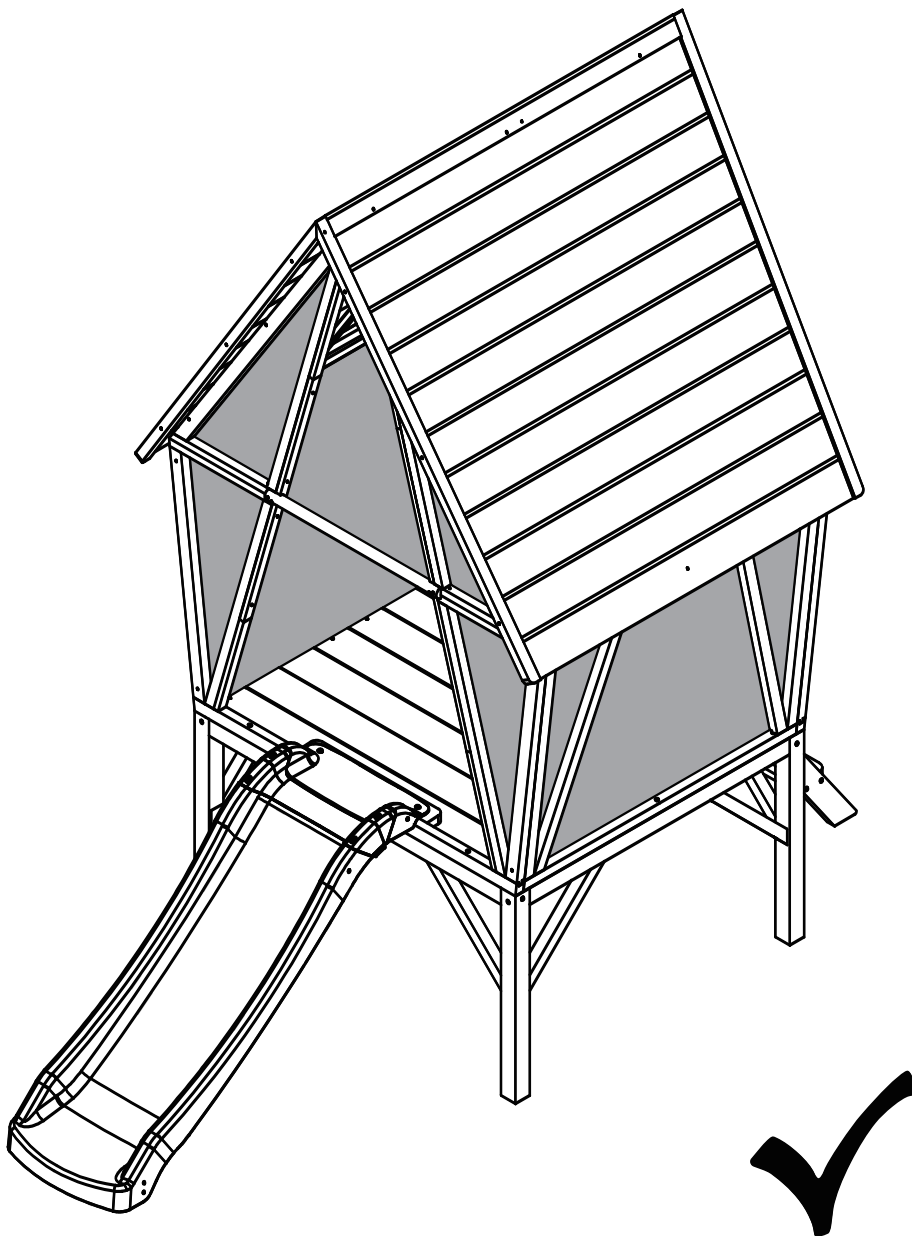
11



Yuki 300



Yuki 300





Playhouse

EXIT Yuki



www.exittoys.com



Contact Information:

Dutch Toys Group B.V.
Edisonstraat 83
7006 RB Doetinchem, The Netherlands

info@exittoys.com
www.exittoys.com

EXIT Toys is part of:

SIMBA · DICKIE · GROUP

EXIT Toys is a registered trade mark of Dutch Toys Group