

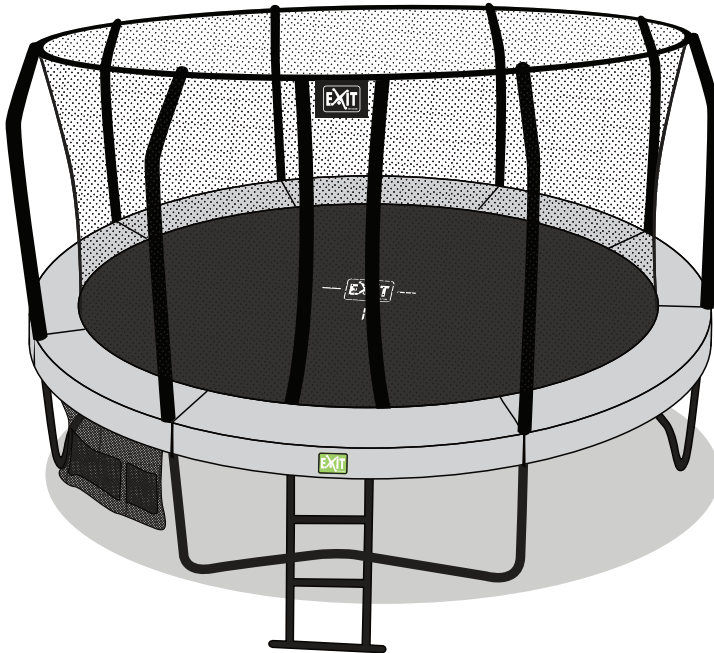


User manual  
Gebrauchsanweisung  
Gebruikshandleiding  
Mode d'emploi

# JumpARENA

## Safety Net

Suitable for JumpARENA Round Trampolines







## JumpARENA Round

ø8Ft / ø10Ft / ø12Ft / ø14Ft  
ø244cm / ø305cm / ø366cm / ø427cm





<b>English</b>		<b>4</b>
<b>Deutsch</b>		<b>16</b>
<b>Nederlands</b>		<b>28</b>
<b>Français</b>		<b>40</b>

## 1.0 Introduction

Congratulations on choosing a EXIT JumpArena Safetynet!

This Safetynet is suitable for the EXIT JumpArena Trampoline with the same size.

### **Have fun, be active and play outdoors.....**

That's what keeps driving us to develop innovative, quality toys for cool kids.

We do everything possible to develop safe products for children. As our products are classed as toys, we comply with the toughest consumer safety regulations. Before launching our products onto the market, we have independent tests carried out for certification. We also continuously test our production runs and periodically have independent tests performed again as a further check. Only products which live up to the highest EXIT Toys standard are marked with and recognized by the EXIT-brand.

"We want to thank you for your custom and your confidence in this product. We're sure your kids will have as much fun as we did during development. Being open-minded, we really appreciate all comments and ideas which will help us improve our products or develop new ones. You are invited to send your ideas to us at [info@exit-toys.com](mailto:info@exit-toys.com)"

Please visit [www.exittoys.com](http://www.exittoys.com) and discover more cool new products.

The EXIT Toys team

## 2.0 Guidelines for safe use

Using your product as instructed in this manual will eliminate virtually all hazards. However, please bear in mind that children have a natural urge to play and that this may lead to unforeseen dangerous situations for which the manufacturer cannot be held responsible. Teach your children how to use the product and point out possible dangers to them.

### BEFORE YOU BEGIN USING YOUR TRAMPOLINE:

Read and understand all this information provided to you in this manual. As with all physical sports and activities there is the risk of participants receiving an injury. To ensure your future enjoyment and the prevention of injury, be sure to follow appropriate safety rules and tips.

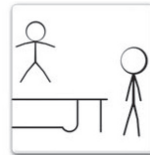


## WARNING

To avoid serious injury:



- Read and understand the manual before use.
- WARNING: Only for domestic use
- WARNING: CHOKING HAZARD! - Small parts.  
Not for Children under 3 years old.
- Protect children
  - Prevent falls and strangulation - Exit through the door only, and use caution.
  - Assist young children in and out of Safety net.
- WARNING: Only one user at a time; danger of collision!
- WARNING: Always jump in the middle of the jump mat.
- WARNING: Do not perform summersaults or other difficult jumps!
- WARNING: Empty your pockets before use of the trampoline!
- Continuous adult supervision is required.
- To prevent accidents due to slipping, don't use the trampoline when it's wet.
- The trampoline is to be assembled by an adult prior to use.
- In case of missing or broken parts, please contact place of purchase for assistance.
- We are not liable for any injuries that may occur when using the trampoline.
- Max. User weight: 8ft: 100kg. 10ft: 100 kg.  
12ft: 110kg. 14ft: 120 kg.



## 2.1 General Safety Instructions

1. Please read and follow all instructions before you start exercising with your safety net.
2. Please inspect the safety net before each use for bent steel tubes, torn mat, loose and broken springs and overall stability of the trampoline.
3. You shall always be sure that the equipment is working normally and safety before you work out on your safety net
4. Never have more than one person bouncing on the trampoline. The safety net has been made for only one person
5. A supervisor is absolutely necessary when children use this trampoline.
6. Safety net isn't created in order to replace adult supervision.
7. This product is intended for home use only.
8. Wind or air movement shall be calm and gentle, Don't use trampoline in gusty or severe wind
9. Ensure that a person always supervises the user of the trampoline.
10. **WARNING:** Always close the entrance of the safety net before using the trampoline.
11. **Moving the Trampoline.** If the trampoline and enclosure needs to be moved, it should be moved by two persons, kept horizontal, and lifted slightly. If necessary, the trampoline and enclosure can be taken apart for moving. To take the trampoline apart, follow the assembly steps in reverse order.
12. **WARNING** Check the product before and after jumping – especially the following parts – for damage and wear:
  - jumping mat
  - safety net
  - padding and its fastening
  - springs and their fastenings

## 3.0 General Information

- It is not necessary to break-down the trampoline during winter.
- Self-securing nuts and screws are suitable only for one time setting-up, and must be replaced after breakdown of the trampoline and/or safety net.
- The safety net has a minimum durability of 5 years after purchasing.
- It is recommended to place the trampolines on a flat and level surface with at least 2 m distance to other superstructures, or barriers, e.g. fence, garage, house, tree branches, washing lines, or electrical cables.
- The trampoline shall not be placed over hard surfaces like asphalt, concrete etc.
- Exchange defective parts according to the supplier's recommendation.
- Changes to the trampoline (e.g. addition of an accessory) must be done according to the supplier's instruction.

## 4.0 SAFETY NET ASSEMBLY

### STEP BY STEP CONSTRUCTION

**Please read the assembly instructions before beginning to assemble the product.**

Please refer to the table below for parts description and numbering.

Make sure you have all the parts listed. If you are missing any parts, please contact place of purchase.

Please use gloves to protect your hands from pinch points during assembly. When you are ready to start, make sure that you have plenty of space and a clean dry area for assembly.

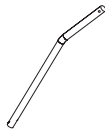
## Parts list

Part.Nr.	Description	8ft	10ft	12ft	14ft
1	Foam sleeve	4	8	8	8
2	Upper Tube	4	8	8	8
3	Lower tube	4	8	8	8
4	Foam	8	16	16	16
5	Screw	4	8	8	8
6	Net	1	1	1	1
7	End cap	4	8	8	8
8	Pole cap	4	8	8	8
9	Cord	2	2	3	3
10	Cable wire	2	2	2	2
11	Tool	1	1	1	1

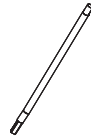
Enclosed are the current specifications and product features available at time of printing, however, changes may be made in equipment, availability, specifications and features without notice.



(1)



(2)



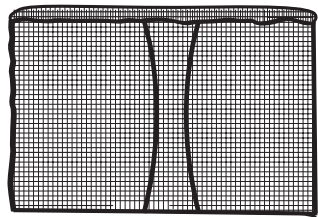
(3)



(4)



(5)



(6)



(7)



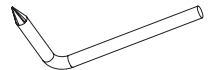
(8)



(9)



(10)



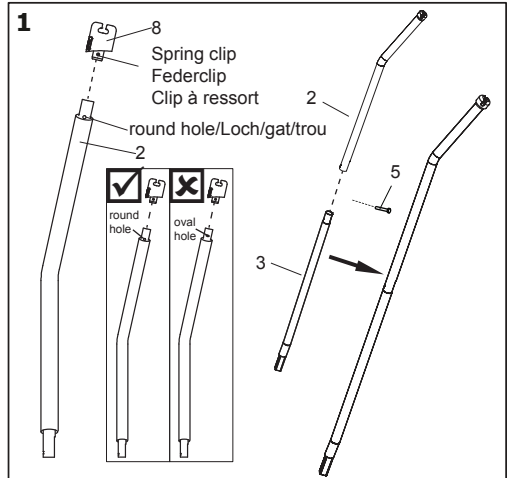
(11)



### Step 1

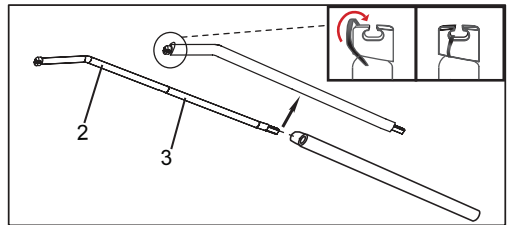
Insert Pole Cap(8) into the upper tube(2) with foam (4) as shown.

Lay one upper tube(2) with foam(4) and lower tube(3) with foam(4) on the ground, insert the lower tube(3) into the upper tube(2) secure with screw(5).



Then insert the assembled tubes into the Foam sleeve(1).

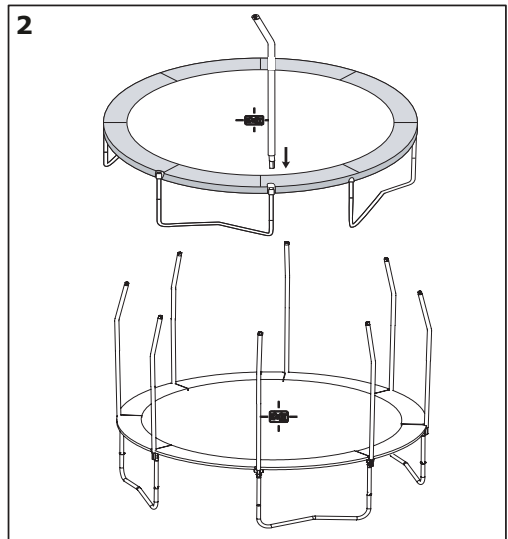
Repeat this step to attach the remaining Upper tubes(2) and Lower tubes(3) together (not shown).



### Step 2

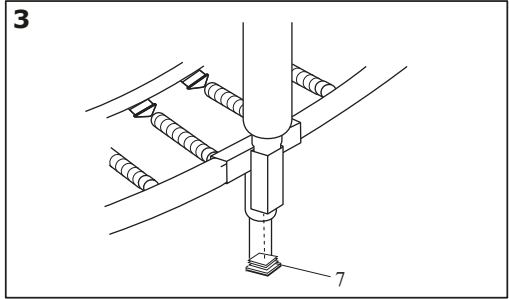
Insert the enclosure pole into the Socket of the trampoline as shown.

Attach other enclosure poles in the same way.



### Step 3

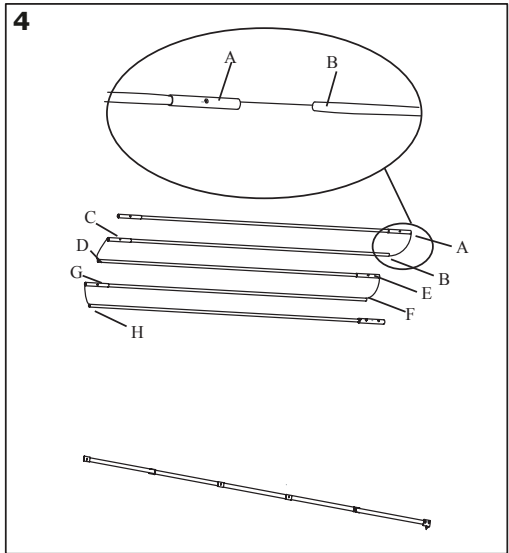
Insert the end cap(7) into the bottom hole of the socket.



### Step 4

Identify the Cable wire with small sections attached by thread, then insert the end B of cable into the end A as shown, repeat this process to attach the remaining cables C,D,E,F..... to form the first assembled cable.

Repeat this process to attach other set Cable wire together by same manner.



## Step 5

### A

Insert one assembled Cable (10) wire into sleeve on the top of the enclosure net (6) as shown A.

**Notice: Two adults are required when assemble.**

Insert the second assembled Cable wire (11) into sleeve on the top of the enclosure net by the same manner.

### B

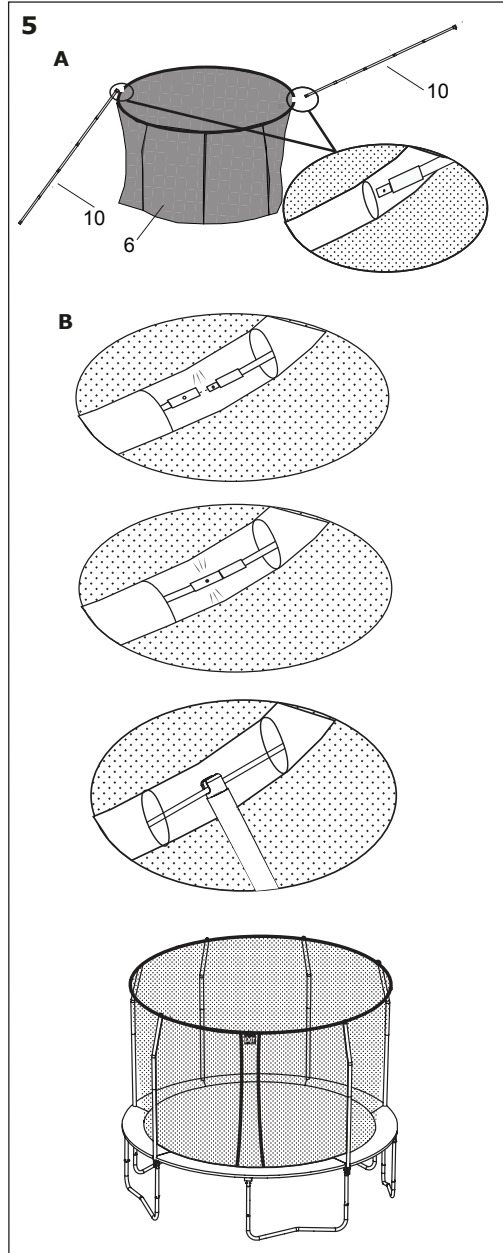
Attach two ends of the entire Cable wire together as shown B.

**Notice: Put the net on the inside of the poles on the frame pad. Now go stand on the jumpmat.**

Place the Cable Wire with enclosure to the plastic cap. Make sure the cable wire fit into the slot properly.

Repeat for all the cable wire and plastic cap.

Make sure the center of the enclosure does and center of the two legs are aligned.

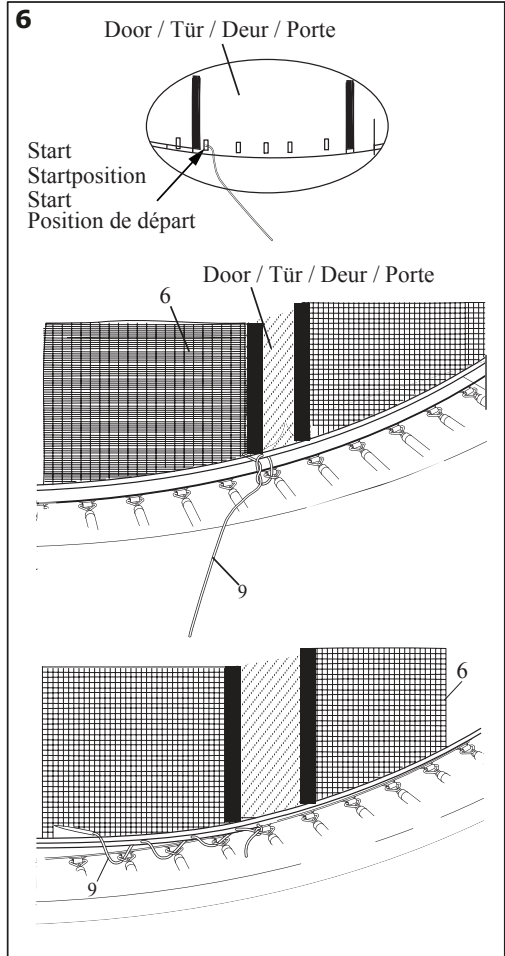


## Step 6

Notice: During step6, you will "sew" the lower edge of the Netting(6) to the V-rings on the mat using the Cords(9) Locate the V-ring closest to the door. thread one end of a Cord(9) through the lower edge of the netting(6) above the V-ring and then thread the cord through the V-ring. Tie the Netting to the V-ring by making a double knot in the cord.

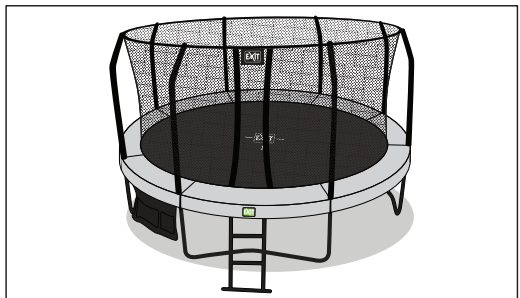
Thread the cord(9) through the lower edge of the netting(6) halfway between the first V-ring and the V-ring to the left. and then thread the cord through the V-ring to the left, Repeat this procedure until the entire cord is threaded through the netting and V-ring as shown. keep the cord taut. Tie the end of the cord to the last V-ring that it reaches. Repeat this process until all the cords are attached.

Tie a second cord(not shown) to the last V-ring reached by the first cord. thread the second cord through the netting(6) and V-ring as described above. Make sure that netting is sewn to every V-ring on the trampoline bed.



## Congratulations! Your trampoline enclosure is now fully assembled (put together).

Make sure that all parts are securely attached. Familiarize yourself and all users with the trampoline and enclosure with the safety precautions, use and instructional materials, and care and maintenance instructions in this manual before using the trampoline and enclosure.





## 5.0 CARE AND MAINTENANCE

This trampoline was designed and manufactured with quality materials and craftsmanship. If proper care and maintenance is provided, it will provide all jumpers with years of exercise, fun, and enjoyment as well as reduce the risk of injury. Please follow the guidelines listed below:

This trampoline is designed to withhold a certain amount of weight and use. Please make sure that only one person at any one time uses the trampoline. Jumpers should either wear socks, gymnastics shoes, or be barefoot when using the trampoline. Please be aware that street shoes or tennis shoes should NOT be worn while using the trampoline. In order to prevent the trampoline mat from getting cut or damaged please do not allow any pets onto the mat. Also, jumpers should remove all sharp objects from their person prior to using the trampoline. Any type of sharp or pointed objects should be kept off the trampoline mat at all times.

### **Maintenance instructions**

It is particularly important to follow the following maintenance instructions at the beginning of each season and periodically during the use season:

- It is necessary to determine whether all nuts and bolts are tight, and if necessary they are tightened;
- It shall be verified that all spring-loaded connections (locking pin) are undamaged and not move while playing;
- Any cover screws and sharp edges must be checked and replaced if necessary;
- The maintenance manual shall be kept;

Always inspect the trampoline before each use for worn, abused or missing parts. A number of conditions could arise that may increase your chances of getting injured. Please be aware of:

- Punctures, holes, or tears in the trampoline mat
- Sagging trampoline mat
- Loose stitching or any kind of deterioration of the mat
- Bent or broken frame parts, such as the legs
- Broken, missing, or damaged springs
- Damaged, missing, or insecurely attached frame pad
- Protrusions of any types (especially sharp types) on the frame, springs, or mat

**IF YOU FIND ANY OF THE PREVIOUS CONDITIONS, OR ANYTHING ELSE THAT YOU FEEL COULD CAUSE HARM TO ANY USER, THE TRAMPOLINE SHOULD BE DISASSEMBLED OR SECURED FROM USE UNTIL THE CONDITION(S) HAS BEEN RESOLVED.**

### **WINDY CONDITIONS**

In severe wind situations, the trampoline can be blown about. If you expect windy weather conditions, the trampoline should be moved to a sheltered area or disassembled. Another option is to tie the round, outside portion (top frame) of the trampoline to the ground using ropes and stakes. To ensure security, at least three (3) tie downs should be used. Do not just secure the legs of the trampoline to the ground because they can pull out the frame sockets.

### **MOVING THE TRAMPOLINE**

If you need to move the trampoline, two people should be used. All connector points should be wrapped secured with weather resistant tape, such as duct tape. This will keep the frame intact during the move and prevent the connector points from dislocating and separating. When moving, lift the trampoline slightly off the ground and keep it horizontal to the ground. For any type of other move, you should disassemble the trampoline.

## 6.0 Warranty

1. After the date of the purchase invoice, the owner of the EXIT Toys JumpArena has a:
  - 2 year warranty on the breaking of the frame
  - 1 year warranty on the tearing of the net
2. The warranty applies only to the material and construction defects with respect to this product or its components.
3. The warranty becomes defunct if:
  - This product is used incorrectly and/or carelessly and is used in such a way that it does not comply with its purpose.
  - This product is not assembled and maintained according to the instruction booklet.
  - Technical repairs to this product are not carried out professionally.
  - Parts, which are mounted afterwards, do not comply with the technical specifications of the product concerned or are mounted incorrectly.
  - Defects are a result of climatic influences such as corrosion, UV rays or normal disintegration.
  - The product is rented out or was made available to various unspecified persons in any other manner.
4. EXIT Toys will repair or replace according to its choice all material and construction defects that have been ascertained by EXIT Toys during the warranty period.
5. The owner is only entitled to the warranty by presenting the product for inspection at a EXIT Toys dealer. It should be handed to the EXIT Toys dealer, accompanied by the original purchase invoice.
6. In case of material and construction defects that have been ascertained by EXIT Toys, the product or its components will be repaired or replaced – according to its choice – free of charge during the warranty period mentioned in Article 1.
7. If the claim for warranty is not justifiable, all the costs are at the expense of the owner.
8. This warranty cannot be transferred to third parties.
9. The trampoline is designed for personal use. It is not permitted to rent out or place the trampoline in public areas like schools or day-care centres. The guarantee and any other liabilities shall expire if the playhouse is rented out or used in public areas.



## 1.0 Einführung

Glückwunsch zur Wahl des EXIT Toys JumpArena Sicherheitsnetzes!

### **Amüsier dich, sei aktiv und spiele im Freien!**

Für diesen Spaß entwickeln wir innovative und hochwertige Spielzeuge für coole Kids.

Wir tun alles in unserer Macht stehende, um sichere Produkte für Kinder zu entwickeln. Da unsere Produkte als Spielzeuge klassifiziert werden, erfüllen wir die strengsten Sicherheitsvorschriften. Bevor unsere Produkte auf dem Markt kommen, veranlassen wir die Durchführung von unabhängigen Prüfungen zur Zertifizierung. Außerdem kontrollieren wir selbst ständig unsere Produktionsabläufe und lassen diese als weitere Kontrolle regelmäßig durch unabhängige Stellen überprüfen. Nur Produkte, die den höchsten EXIT Toys Standards gerecht werden, werden mit dem EXIT Toys label gekennzeichnet.

Wir danken Ihnen für Ihr Vertrauen in dieses Produkt. Und wir sind sicher, dass Ihre Kinder genau viel Spaß haben werden wie wir ihn während der Entwicklung hatten. Da wir aufgeschlossen sind, schätzen wir wirklich all Ihre Kommentare und Ideen, die uns bei der Verbesserung unserer Produkte bzw. bei der Entwicklung neuer Spielzeuge helfen. Sie sind herzlich eingeladen, uns Ihre Ideen unter [info@exittoys.com](mailto:info@exittoys.com) zu senden.

Besuchen Sie [www.exittoys.com](http://www.exittoys.com) und entdecken Sie weitere tolle neue Produkte.

Das EXIT Toys Team



## 2.0 Richtlinien für einen sicheren Gebrauch

Wenn das Trampolin entsprechend dieser Anleitung verwendet wird, sind praktisch alle Gefahren ausgeschlossen. Bedenken Sie allerdings, dass Kinder einen natürlichen Spieltrieb haben und dass dies zu unvorhergesehenen gefährlichen Situationen führen kann, für die der Hersteller nicht haftbar gemacht werden kann. Weisen Sie Ihre Kinder in die sichere Verwendung des Produkts ein und auf mögliche Gefahren hin.

### BEVOR SIE IHR BIG TRAMPOLIN IN GEBRAUCH NEHMEN:

Sie müssen diese Gebrauchsanweisung vollständig lesen und verstehen.

Wie bei allen Körpersportarten und -aktivitäten trägt der Ausübende das Verletzungsrisiko. Um Ihre künftige Freude am Gerät sicherzustellen und auch, um Verletzungen vorzubeugen, befolgen Sie die Sicherheitsbestimmungen und -tips.



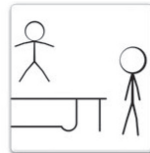
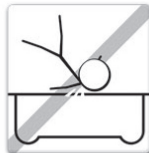
## WARNUNG

### Zur Vermeidung von schweren Verletzungen:



- Vor Gebrauch müssen Sie die Bedienungsanleitung gelesen und verstanden haben.
- Achtung! Dieses Produkt ist nur für den häuslichen Gebrauch bestimmt.
- Achtung! ERSTICKUNGSGEFAHR! - Kleinteile. Nicht für Kinder unter 3 Jahren geeignet.
- Kinder schützen
  - Verhindern Sie Stürze und Strangulation - Verlassen Sie das Sicherheitsnetz nur durch die Tür; seien Sie dabei vorsichtig.
  - Helfen Sie kleineren Kindern in das Safety Net hinein- und hinauszukommen.
- Achtung! KOLLISIONSGEFAHR! Es darf nie mehr als 1 Person gleichzeitig auf dem Trampolin sein.
- Achtung! Immer in der Mitte der Sprungtuch springen.
- Achtung! Keine Saltos oder andere schwierige Sprünge durchführen!
- Achtung! Vor Verwendung des Trampolins die (Hosen-)Taschen leeren!
- Nur unter Aufsicht eines Erwachsenen verwenden.
- Um Unfälle durch Ausrutschen zu verhindern, benutzen Sie niemals das Trampolin, wenn es nass ist.
- Das Spielzeug ist vor Gebrauch von einem Erwachsenen zu montieren.
- Falls Teile nicht mitgeliefert wurden oder fehlerhaft sind, wenden Sie sich bitte an Ihre Verkaufsstelle.
- Achtung: Wir können nicht haftbar gemacht werden für Verletzungen die während des Gebrauchs des Trampolins auftreten können.
- Max. Belastungsgewicht:
 

8ft: 100kg.	10ft: 100 kg.
12ft: 110kg.	14ft: 120 kg.



## 2.1 Allgemeine Sicherheitshinweise

1. Bitte lesen Sie die Sicherheitshinweise vollständig durch, ehe Sie mit Ihren Übungen auf dem Trampolin beginnen. Befolgen Sie die Sicherheitshinweise.
2. Bitte überprüfen Sie das Safety Net vor jedem Gebrauch auf verbogene Stahlrohre, eingerissene Matten, lockere, bzw. gebrochene Federn und auf die allgemeine Stabilität des Trampolins.
3. Sie müssen sich immer davon überzeugen, dass das Gerät ordnungsgemäß funktioniert, ehe Sie auf Ihrem Trampolin Sport treiben.
4. Lassen Sie niemals mehr als eine Person auf dem Trampolin springen. Das Safety Net wurde nur für eine Person konstruiert.
5. Eine Aufsicht ist unbedingt erforderlich, wenn Kinder dieses Trampolin benutzen.
6. Das Safety Net kann niemals eine erwachsene Aufsicht ersetzen.
7. Dieses Produkt ist nur für den häuslichen Gebrauch bestimmt.
8. Es müssen ruhige Wind- und Wetterverhältnisse vorherrschen. Das Trampolin darf bei böigem oder stürmischem Wind nicht benutzt werden.
9. Stellen Sie sicher, dass immer eine Person den Benutzer des Trampolins beaufsichtigt.
10. **WARNUNG:** Vor Verwendung des Trampolins immer den Eingang des Sicherheitsnetzes schließen.
11. **BEWEGEN DES TRAMPOLINS.** Zum Bewegen des Trampolins sind 2 Personen benötigt werden. Heben Sie das Trampolin zum Umstellen leicht vom Boden an und halten Sie es horizontal zum Boden. Um das Trampolin auf eine andere Weise umzustellen, müssen Sie es auseinanderbauen. Zur Demontage benutzen Sie die Aufbauanleitung in umgekehrter Reihenfolge.
12. **WARNING** Überprüfen Sie vor und nach Gebrauch das Produkt regelmäßig – insbesondere folgenden Teile ! - auf Schäden und Verschleisspuren:
  - das Sprungtuch
  - das Sicherheitsnetz
  - das Rahmenpolster und Befestigungsmittel
  - die Federn und Befestigungsmittel

### 3.0 Allgemeine Informationen

- Das Trampolin braucht im Winter nicht abgebaut werden.
- Die selbstsichernden Muttern und Schrauben können nur einmal verwendet werden und sind nach dem Abbau des Trampolins und/oder des Sicherheitsnetzes zu ersetzen.
- Das Sicherheitsnetz hat eine Lebensdauer von mindestens 5 Jahren nach dem Anschaffungsdatum.
- Trampoline auf einer geraden Fläche mit einer Entfernung von mindestens 2 Metern zu anderen Gebäuden oder Hindernissen aufstellen, wie beispielsweise Zäunen, Garagen, Häusern, Zweige von Bäumen, Wäscheleinen oder Stromkabeln.
- Das Trampolin nicht auf eine harte Oberfläche stellen, wie Asphalt oder Beton etc.
- Defekte Teile immer entsprechend der Herstellerempfehlung auswechseln.
- Änderungen am Trampolin (z. B. die Verwendung von Zubehör) dürfen nur gemäß Herstellerempfehlungen vorgenommen werden.

### 4.0 ZUSAMMENBAU DES SAFETY NETS

#### Die Konstruktion - Schritt für Schritt

**Bitte lesen Sie die Bauanleitung, ehe Sie mit dem Aufbau des Produktes beginnen.**

Die unten aufgeführte Teileliste enthält den Lieferumfang mit Teilebeschreibung und Bestellnummern.

Vergewissern Sie sich, dass alle aufgelisteten Teile vorhanden sind. Wenn Teile fehlen, setzen Sie sich bitte mit der Verkaufsstelle in Verbindung.

Bitte benutzen Sie Handschuhe, um zu vermeiden, dass Ihre Hände während des Aufbaus eingeklemmt werden. Wenn Sie startbereit sind, sorgen Sie bitte für genügend Platz und einen sauberen, trockenen Ort für den Zusammenbau.

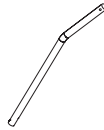
## Teilleiste

Ref.Nr.	Beschreibung	8ft	10ft	12ft	14ft
1	PVC-Hülse	4	8	8	8
2	Oberes Rohr	4	8	8	8
3	Unteres Rohr	4	8	8	8
4	Schaumpolsterung	8	16	16	16
5	Schraube	4	8	8	8
6	Netz	1	1	1	1
7	Verschlussstopfen	4	8	8	8
8	Pfahlkappe	4	8	8	8
9	Schnur	2	2	3	3
10	Fiberglas	2	2	2	2
11	Werkzeug	1	1	1	1

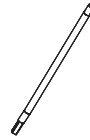
Hierin aufgeführt sind die Spezifikation und Produkteigenschaften, wie sie zum Zeitpunkt des Drucks gültig waren. Produkt, Verfügbarkeit, Spezifikationen und Eigenschaften können sich jedoch ohne vorherige Ankündigung ändern.



(1)



(2)



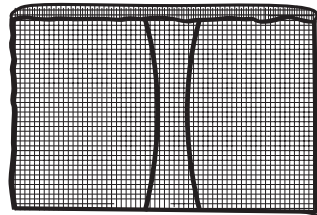
(3)



(4)



(5)



(6)



(7)



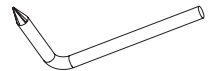
(8)



(9)



(10)

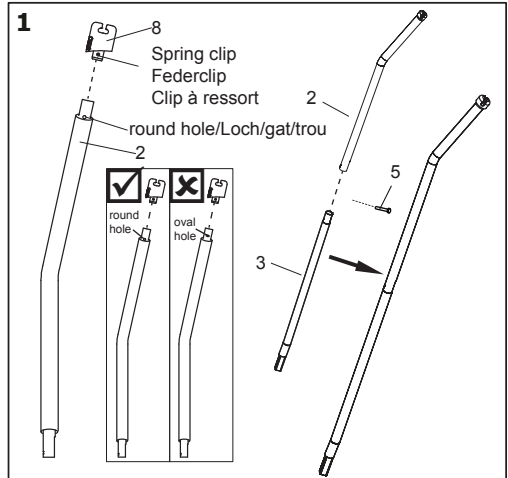


(11)

## Schritt 1

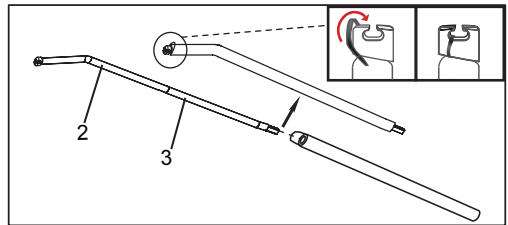
Stecken Sie den Pfahlkappe (8) in das obere Rohr mit Schaum, wie dargestellt.

Legen Sie ein oberes Rohr (2) mit Schaumpolsterung (4) und ein unteres Rohr (3) auf den Boden, schieben Sie das untere Rohr (3) in das obere Rohr (2) und befestigen Sie es mit der Schraube (5).



Schieben Sie anschließend die Rohre in die Schaumstoffhülle (1).

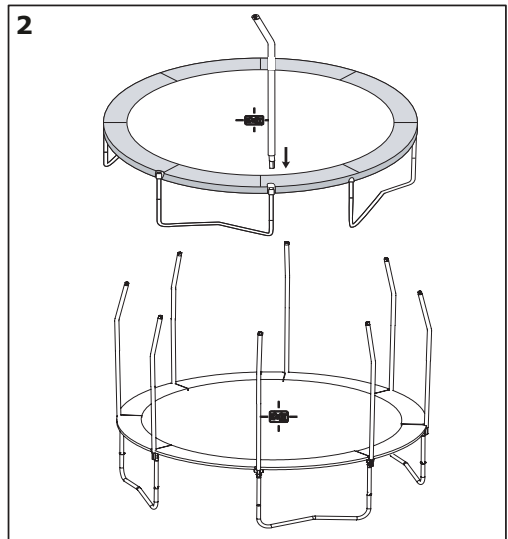
Wiederholen Sie diesen Schritt mit den restlichen oberen Rohren (2) und unteren Rohren (3) (nicht abgebildet).



## Schritt 2

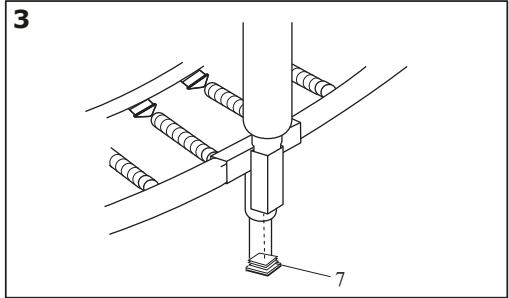
Stecken Sie eine Netzstange in die Anschlussstelle am Rahmen (siehe Abbildung).

Befestigen Sie die restlichen Netzstangen auf die gleiche Weise.



### Schritt 3

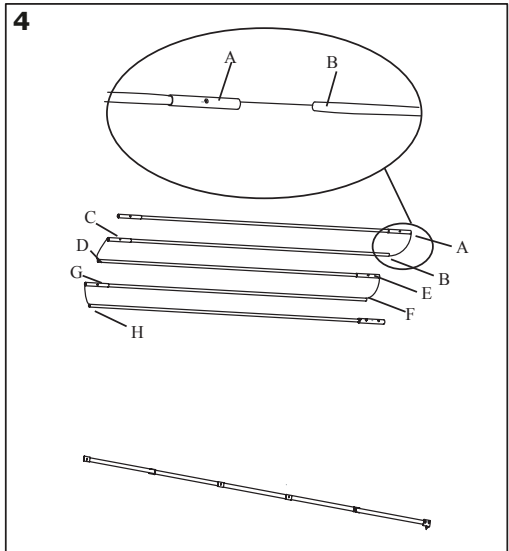
Drücken Sie die Verschlussstopfen (7) unten in die Anschlussstelle.



### Schritt 4

Schieben Sie bei den mit einem Draht verbundenen Teile Ende B des Fiberglas wie abgebildet in Ende A. Wiederholen Sie diesen Vorgang für die restlichen Teile C, D, E, F, um das erste montierte Fiberglas herzustellen.

Wiederholen Sie diesen Vorgang mit den anderen Fiberglassets.



## Step 5

### A

Schieben Sie ein montiertes Fiberglas (10) in die Tasche am oberen Netzrand (6), siehe Abbildung A.

**Achtung: Führen Sie diesen Schritt immer zu zweit aus.**

Schieben Sie das zweite montierte Fiberglas (11) auf die gleiche Weise in die Tasche am oberen Netzrand.

### B

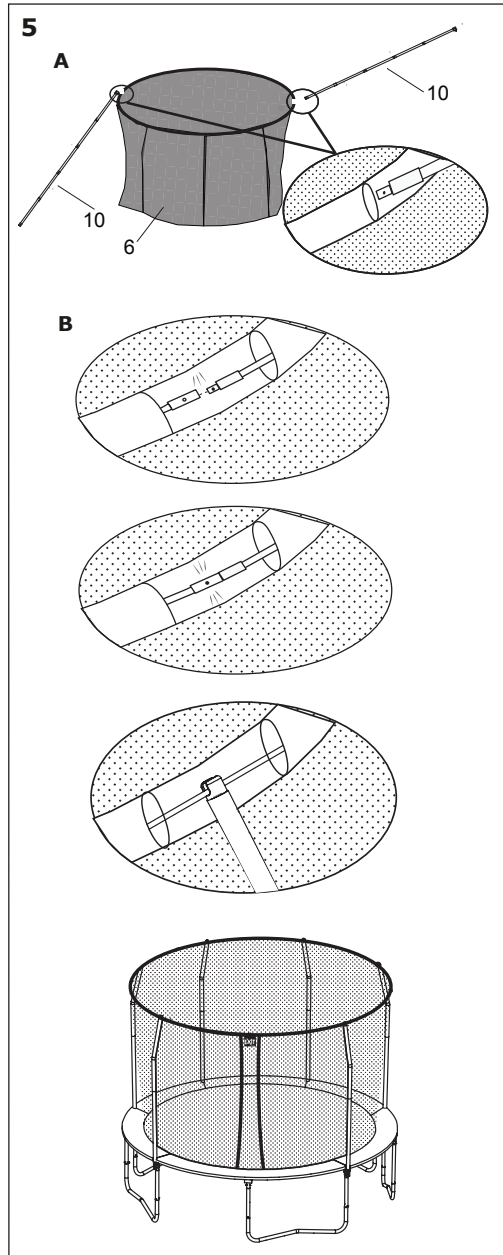
Befestigen Sie die beiden Fiberglasenden wie in Abbildung B gezeigt miteinander.

**Achtung! Legen Sie das Netz auf der Innenseite der Netzstangen, auf der Rahmenmatte. Gehen Sie jetzt auf die Sprungmatte stehen.**

Arretieren Sie den Fiberglasverschluss in der Kunststoffhalterung. Achten Sie darauf, dass das Fiberglas gut gefestigt ist.

Wiederholen Sie diesen Schritt mit dem Fiberglas und allen Kunststoffhalterungen.

Achten Sie darauf, dass sich die Halterung genau in der Mitte dieses Fiberglasabschnitts befindet.

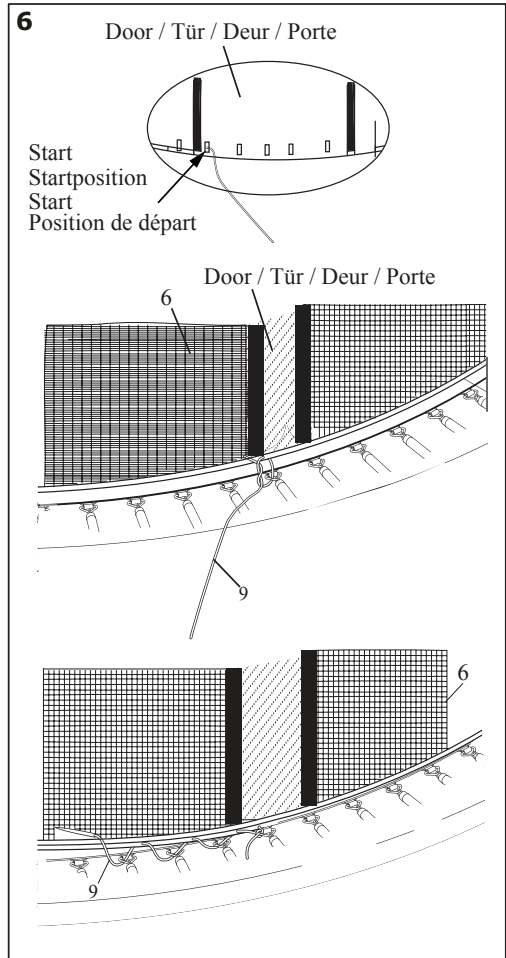


## Schritt 6

Achtung: Bei Schritt 6 fädeln Sie den unteren Netzrand (6) mithilfe der Bänder (9) durch die V-Ringe der Matte. Beginnen Sie beim V-Ring am Ein-/Ausgang. Fädeln Sie ein Bandende (9) durch den unteren Netzrand (6) über dem V-Ring und ziehen Sie das Band anschließend durch den V-Ring. Befestigen Sie das Band mit einem doppelten Knoten am V-Ring.

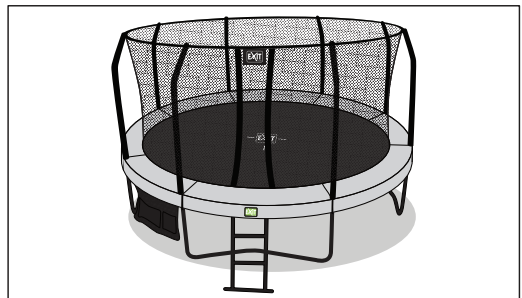
Fädeln Sie das Band (9) auf der Hälfte zwischen dem ersten V-Ring und dem V-Ring links davon durch den unteren Netzrand (6) und ziehen Sie das Band anschließend durch den linken V-Ring. Wiederholen Sie diesen Vorgang, bis das gesamte Band wie abgebildet durch Netz und V-Ring gefädelt wurde. Halten Sie das Band straff. Befestigen Sie das Band am letzten V-Ring. Wiederholen Sie diesen Vorgang, bis alle Bänder befestigt sind.

Befestigen Sie ein zweites Band (nicht abgebildet) am V-Ring, bei dem Sie mit dem ersten Band geendet sind. Ziehen Sie das zweite Band wie oben beschrieben durch Netz (6) und V-Ring. Vergewissern Sie sich, dass alle V-Ringe des Trampolins am Netz befestigt wurden.



## Herzlichen Glückwunsch! Ihr Trampolin ist jetzt vollständig montiert und bereit zum Gebrauch.

Vergewissern Sie sich, ob alle Teile fest angezogen sind. Machen Sie sich und alle Nutzer vor Gebrauch des Trampolins mit dem Trampolin, den Sicherheitsmaßnahmen, der Verwendung und den Gebrauchsanweisungen sowie mit den in dieser Anleitung enthaltenen Wartungsanweisungen vertraut.





## 5.0 PFLEGE UND UNTERHALT

Dieses Trampolin wurde entwickelt und hergestellt aus qualitativ hochwertigen Materialien und Verarbeitung. Bei sorgfältiger Pflege und Wartung werden alle User jahrelang üben können und Spaß und Freude haben und dabei gleichzeitig die Verletzungsgefahr reduzieren. Bitte folgen Sie untenstehenden Richtlinien:

Dieses Trampolin wurde entwickelt, um ein gewisses Gewicht und Beanspruchung auszuhalten. Bitte stellen Sie sicher, dass nur immer eine Person das Trampolin gleichzeitig benutzt. Users sollte entweder Socken oder Gymastikschuhe tragen bzw. barfuß das Trampolin benutzen. Straßenschuhe oder Tennisschuhe sollten NICHT getragen werden, bei der Benutzung des Trampolins. Um zu vermeiden, dass die Trampolin-Matte eingerissen oder beschädigt wird, lassen Sie keine Tiere auf die Matte. Users sollten alle scharfen Objekte entfernen vor der Benutzung des Trampolins.

### Wartungsanleitung

Es ist besonders wichtig, zu Saisonbeginn und regelmäßig während der Saison stets die folgenden Wartungsanweisungen einzuhalten:

- Der Sitz aller Schrauben und Muttern muss regelmäßig geprüft werden. Bei Bedarf müssen sie nachgezogen werden.
- Alle Federverbindungen (Arretierungsstifte) müssen intakt sein und dürfen bei Verwendung des Trampolins kein Spiel haben.
- Verkleidungsschrauben und scharfe Ränder müssen geprüft und bei Bedarf ersetzt werden.
- Die Wartungsanleitung gut aufbewahren.

Überprüfen Sie stets das Trampolin vor der Benutzung auf abgenutzte, falsch verwendete oder fehlende Teile.

**WENN SIE EINE DER AUFGEFÜHRTEN KONDITIONEN FESTSTELLEN ODER SIE DAS GEFÜHL HABEN, DASS ETWAS ANDERES EINEN USER VERLETZEN KÖNNTE, DANN SOLLTE DAS TRAMPOLIN AUSEINANDERGEBAUT ODER VOR DEM GEBRAUCH GESICHERT WERDEN, BIS DIE KONDITION(EN) GEKLÄRT SIND.**

### WIND

Bei starken Winden kann das Trampolin wegfliegen. Wenn Sie windiges Wetter erwarten, sollte das Trampolin an einen geschützten Ort gebracht oder auseinander gebaut werden. Eine weitere Option, ist es, es das runde, außen liegende Teil (Oberrahmen) des Trampolins mit Seilen und Pfählen an den Boden festzubinden. Zur Sicherheit sollten mindestens (3) Kabelbinder verwendet werden. Es reicht nicht, nur die Stützen des Trampolins in den Boden zu verankern, da diese aus den Rahmenverankerungen gezogen werden können.

### VERSETZEN DES TRAMPOLINS

Wenn Sie das Trampolin versetzen wollen, sollten zwei Personen mitarbeiten. Alle Verbindungspunkte sollten sicher mit wetterfestem Klebeband, wie Isolierband, umwickelt werden. Dadurch bleibt der Rahmen während des Bewegens sicher und verhindert, dass die Verbindungspunkte sich lösen. Beim Bewegen heben Sie das Trampolin leicht vom Boden weg und halten es horizontal zum Erdboden.

Bei einer anderen Art des Bewegens sollten Sie das Trampolin auseinanderbauen.

## 6.0 Garantie

1. Der Besitzer des EXIT Toys Trampolin erhält nach dem Datum der Kaufquittung:
  - 2 Jahre Garantie auf den Bruch des Rahmens
  - 1 Jahre Garantie auf das Reißen des Netzes
2. Die Garantie gilt ausschließlich für Material- und Konstruktionsfehler in Bezug auf dieses Produkt oder Einzelteile davon.
3. Die Garantie verfällt, wenn:
  - Dieses Produkt falsch und/oder nicht sorgfältig benutzt und zu Zwecken benutzt wird, die nicht dem Benutzungszweck entsprechen.
  - Dieses Produkt nicht entsprechend den Montage- und Wartungsanweisungen montiert und gewartet wurde.
  - Technische Reparaturen an diesem Produkt nicht auf fachkundige Weise durchgeführt wurden.
  - Später montierte Einzelteile nicht übereinstimmen mit den technischen Spezifikationen des betreffenden Produkts oder falsch montiert sind.
  - Mängel infolge klimatischer Einflüsse wie Rost, UV-Strahlung oder normaler Verwitterung.
  - Das Produkt vermietet wird oder auf andere Weise mehreren unbefugten Personen zur Verfügung steht.
4. Während der Garantieperiode werden alle von EXIT Toys festgestellten Material- oder Konstruktionsfehler von EXIT Toys nach eigenem Ermessen repariert oder ersetzt.
5. Der Besitzer kann nur Anspruch auf die Garantie erheben, indem er das Produkt dem EXIT Toys Händler zur Begutachtung zur Verfügung stellt. Hierzu muss dem EXIT Toys Händler der original Kaufquittung übergeben werden.
6. Stellt EXIT Toys Material- oder Konstruktionsfehler fest, wird das Produkt oder Einzelteile davon während der in Artikel 1 genannten Garantieperiode von EXIT Toys nach eigenem Ermessen kostenlos repariert, bzw. ersetzt.
7. Ist der Anspruch auf die Garantie nicht gerechtfertigt, gehen alle entstandenen Kosten zu Lasten des Besitzers des EXIT Toys Trampolin.
8. Die Garantie ist nicht an Dritte übertragbar.
9. Das Trampolin ist für den privaten Gebrauch vorgesehen. Sie dürfen nicht vermietet oder auf öffentlichen Plätzen wie Schulen und Kindertagesstätten verwendet werden. Bei Vermietung oder Verwendung auf öffentlichen Plätzen verfällt jede Garantie sowie weitere Verantwortlichkeit.



## 1.0 Introductie

Gefeliciteerd met uw JumpArena Veiligheidsnet van EXIT Toys!

### **Pret maken, actief leven en buiten spelen.....**

Dat is onze motivatie om innovatief en kwalitatief speelgoed te ontwikkelen voor coole kinderen.

We doen er alles aan om producten te ontwikkelen die veilig zijn voor kinderen. Aangezien onze producten worden geclassificeerd als speelgoed, voldoen we aan de strengste normen op het vlak van consumentveiligheid. Voordat we een product op de markt brengen, laten we onafhankelijke tests uitvoeren voor de vereiste certificaten. We voeren ook voortdurend controles uit tijdens de productie en we laten regelmatig nieuwe onafhankelijke tests uitvoeren als extra controle. Enkel de producten die voldoen aan de strengste normen van EXIT Toys krijgen het EXIT Toys merk.

Wij stellen het zeer op prijs dat u bij ons klant bent en danken u voor het vertrouwen in dit product. We zijn er zeker van dat uw kinderen evenveel van dit product zullen genieten als wij tijdens de ontwikkeling ervan. Omdat we open staan voor uw mening, zijn uw opmerkingen en ideeën steeds welkom zodat we onze producten nog kunnen verbeteren en nieuwe kunnen ontwikkelen. Neem daarom gerust contact op via [info@exittoys.com](mailto:info@exittoys.com).

Bezoek de wereld van EXIT Toys op [www.exittoys.com](http://www.exittoys.com) en ontdek ook onze andere stoere en nieuwe buitenspeel producten.

Het team van EXIT Toys

## 2.0 Richtlijnen voor veilig gebruik

Als u de instructies voor de trampoline correct opvolgt, kunt u nagenoeg alle risico's vermijden. Houd er wel rekening mee dat kinderen van nature graag spelen en dat dit tot onvoorzien gevaarlijke situaties kan leiden waarvoor de fabrikant niet verantwoordelijk is. Leer uw kinderen hoe ze het product moeten gebruiken en wijs hen op de mogelijke gevaren.

### VOORDAT U UW TRAMPOLINE GAAT GEBRUIKEN:

Lees alle informatie in deze handleiding en zorg ervoor dat u deze begrijpt. Zoals bij alle fysieke sporten en activiteiten bestaat het risico dat deelnemers letsel oplopen. Om ervoor te zorgen dat u van het toestel kunt genieten en om letsel te voorkomen dient u de van toepassing zijnde veiligheidsregels en -tips op te volgen.



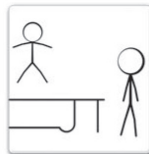
## WAARSCHUWING

### Om ernstige verwondingen te vermijden



- Lees en begrijp de handleiding voor gebruik.
- Waarschuwing! Dit product is uitsluitend bedoeld voor thuisgebruik.
- Waarschuwing! VERSTIKKINGSGEVAAR! - Kleine onderdelen. Niet voor kinderen jonger dan 3 jaar.
- Bescherm kinderen
  - Voorkom valpartijen en beknelling - Ga uitsluitend door de deur naar buiten en let hierbij op.
  - Help jonge kinderen in en uit het veiligheidsnet.
- Waarschuwing! Kans op botsingen! Laat nooit meer dan 1 persoon tegelijk op de trampoline.
- Waarschuwing! Spring altijd in het midden van het springdoek.
- Waarschuwing! Maak geen salto's of andere moeilijke sprongen!
- Waarschuwing! Leeg uw zakken voordat u de trampoline gebruikt!
- Steeds gebruiken onder toezicht van een volwassene.
- Gebruik de trampoline nooit wanneer deze nat is, om ongelukken door uitglijden te voorkomen.
- Dit product moet voor gebruik worden gemonteerd door een volwassene.
- Neem in geval van ontbrekende of kapotte onderdelen contact op met het verkooppunt voor assistentie.
- Waarschuwing: Wij zijn niet aansprakelijk voor enig letsel dat kan ontstaan tijdens het gebruik van de trampoline.
- Maximum gewicht van gebruiker:
 

8ft: 100kg.	10ft: 100 kg.
12ft: 110kg.	14ft: 120 kg.



## 2.1 Algemene veiligheidsinstructies

1. Lees alle instructies voordat u gaat springen met uw veiligheidsnet en volg deze op.
2. Inspecteer het veiligheidsnet vóór elk gebruik op gebogen stalen buizen, een gescheurde mat, loszittende en gebroken veren en algehele stabiliteit van de trampoline.
3. U dient altijd te controleren of alles normaal en veilig werkt voordat u met uw veiligheidsnet gaat springen.
4. Laat nooit meer dan één persoon tegelijk op de trampoline springen. Het veiligheidsnet is voor slechts één persoon gemaakt.
5. Wanneer kinderen deze trampoline gebruiken, is toezicht absoluut noodzakelijk.
6. Het veiligheidsnet is niet gemaakt om toezicht van een volwassene te vervangen.
7. Dit product is uitsluitend bedoeld voor thuisgebruik.
8. Luchtbewegingen dienen kalm en rustig te zijn. Gebruik de trampoline niet bij hevige wind of windstoten.
9. Zorg ervoor dat iemand altijd toezicht houdt op de gebruiker van de trampoline.
10. WAARSCHUWING: sluit altijd de opening van het veiligheidsnet voordat u de trampoline gebruikt.
11. VERPLAATSEN VAN DE TRAMPOLINE. Wanneer de trampoline verplaatst moet worden, zijn hiervoor minimal 2 personen nodig. Til de trampoline iets op en houdt de trampoline bij het verplaatsen in horizontale positie. Indien noodzakelijk is het mogelijk de trampoline uit elkaar te halen. Volg hierbij de montagehandleiding in omgekeerde volgorde.
12. WAARSCHUWING Controleer voor en na het gebruik het product – en in het bijzonder de volgende onderdelen – op schade en slijtage:
  - het springdoek
  - het veiligheidsnet
  - de afdekrand en bevestigingsmateriaal
  - de veren en bevestigingsmateriaal

### 3.0 ALGEMENE INFORMATIE

- U hoeft de trampoline niet af te breken voor de winter.
- Zelfvergrendelende moeren en schroeven zijn alleen geschikt voor eenmalige opstelling en dienen na het afbreken van de trampoline en/of het veiligheidsnet te worden vervangen.
- Veiligheidsnetten hebben een minimale levensduur van 5 jaar na aankoop.
- We adviseren om de trampoline op een plat en vlak oppervlak te plaatsen met minimaal 2 m afstand tot andere bovenbouw of barrières, bijv. hek, garage, huis, boomtakken, waslijnen of elektriciteitskabels.
- Plaats de trampoline niet op een hard oppervlak als asfalt, beton, enz.
- Vervang defecte onderdelen volgens de aanwijzingen van de leverancier.
- Aanpassingen aan de trampoline (bijv. toevoeging van een accessoire) dient te geschieden volgens de aanwijzingen van de leverancier.

### 4.0 MONTAGE VAN HET VEILIGHEIDSNET

#### STAP VOOR STAP MONTAGE

**Lees de montage-instructies voordat u begint met het monteren van het product.**

Raadpleeg de onderstaande tabel voor beschrijving en nummering van de onderdelen.

Controleer of u alle aangegeven onderdelen hebt. Neem contact op met het verkoop-punt als u onderdelen mist.

**Gebruik handschoenen om uw handen tijdens montage te beschermen tegen beknelling. Als u klaar bent om te beginnen, dient u ervoor te zorgen dat u genoeg ruimte hebt en dat deze ruimte droog en schoon is.**

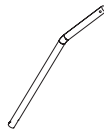
## Onderdelenlijst

Ond.Nr.	Omschrijving	8ft	10ft	12ft	14ft
1	Schuim sleeve	4	8	8	8
2	Bovenste buis	4	8	8	8
3	Onderste buis	4	8	8	8
4	Schuim	8	16	16	16
5	Schroef	4	8	8	8
6	Net	1	1	1	1
7	Afdekkap	4	8	8	8
8	Paaldop	2	2	3	3
9	Koord	2	2	2	2
10	Glasfiber	2	2	2	2
11	Sleutel	1	1	1	1

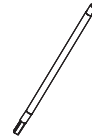
Bijgevoegd zijn de actuele specificaties en producteigenschappen op het moment van printen. De apparatuur, beschikbaarheid, specificaties en eigenschappen kunnen echter zonder aankondiging veranderen.



(1)



(2)



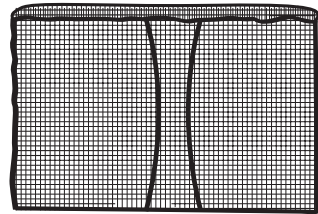
(3)



(4)



(5)



(6)



(7)



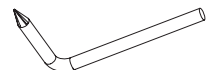
(8)



(9)



(10)



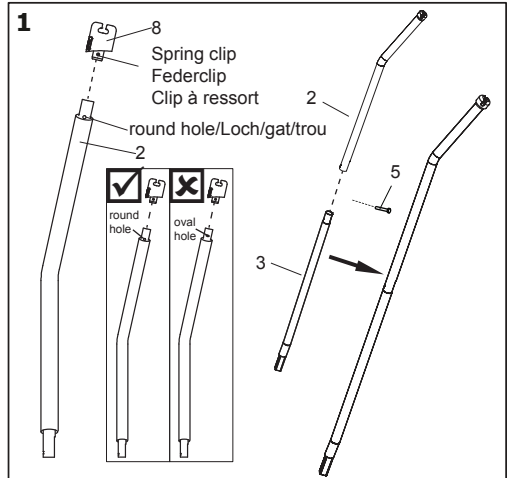
(11)



## Stap 1

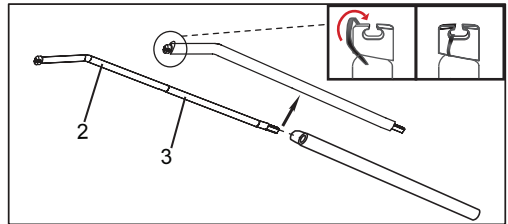
Plaats de paaldop in de bovenste buis met schuim zoals getoond.

Leg een bovenbuis (2) met schuim (4) en een onderbuis (3) met schuim (4) op de grond, steek de onderbuis (3) in de bovenbuis (2) en bevestig de buizen met een schroef (5).



Steek vervolgens de gemonteerde buizen in de schuimsleeve (1).

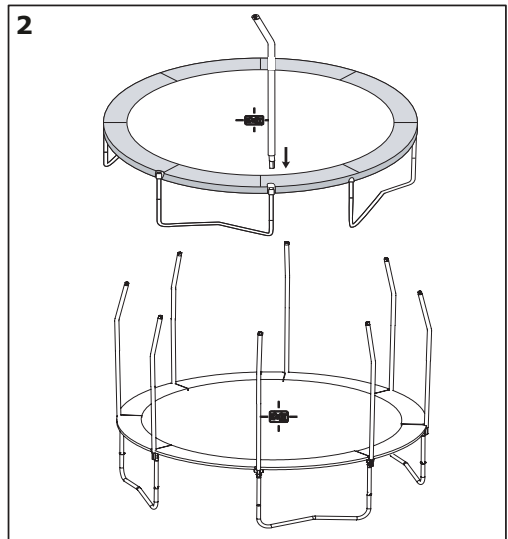
Herhaal deze stap om de resterende bovenbuizen (2) en onderbuizen (3) aan elkaar te monteren (niet weergegeven).



## Stap 2

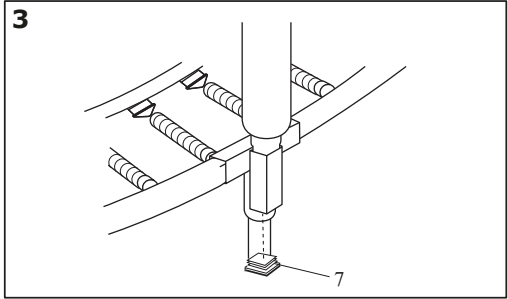
Steek de paal van het net in de aansluiting van de trampoline zoals weergegeven.

Plaats de andere palen op dezelfde manier.



### Stap 3

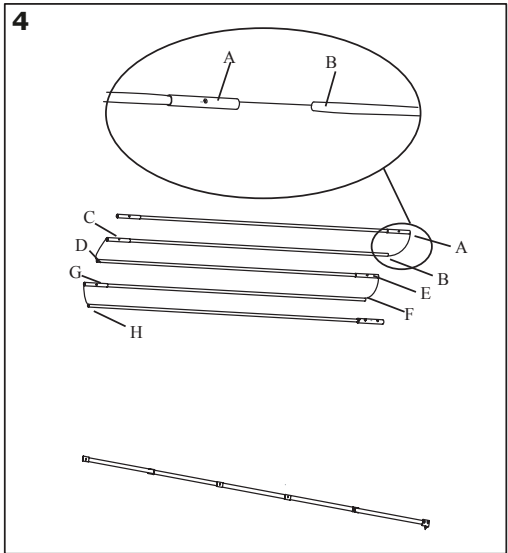
Sluit de openingen onderin de aansluitingen af met de einddoppen (7).



### Stap 4

Zoek de glasfiber stokken die met het kabeldraad in de stokken aan elkaar zijn verbonden, en steek uiteinde B van de stok in uiteinde A, zoals weergegeven. Herhaal dit met de overige stokken C, D, E, F, enz. om de eerste gemonteerde paal te vormen.

Monteer de andere glasfiber stokken op dezelfde manier.



## Stap 5

### A

Steek een gemonteerde glasfiber stokken (10) in de tunnel bovenin het veiligheidsnet (6) zoals weergegeven (A).

**Opmerking: de assemblage moet door twee volwassenen worden uitgevoerd.**

Steek de tweede gemonteerde glasfiber stokken (11) in de tunnel bovenin het veiligheidsnet op dez-

### B

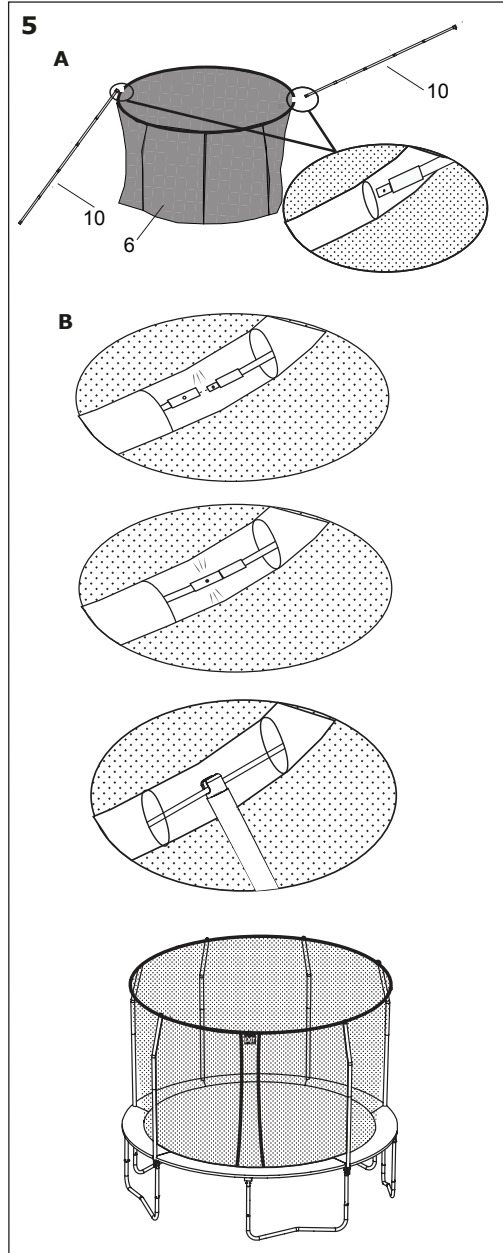
Bevestig twee uiteinden van de hele paal aan elkaar, zoals weergegeven bij B.

**Let op! Leg het net aan de binnenkant van de palen, op de afdekrand. Ga nu op de springmat staan.**

Plaats de paal met het veiligheidsnet op de plastic dop. Zorg ervoor dat de paal goed in de gleuf past.

Doe hetzelfde voor de overige palen en plastic doppen.

Zorg ervoor dat het midden van de deur van het veiligheidsnet en het midden van de twee poten boven elkaar zitten.

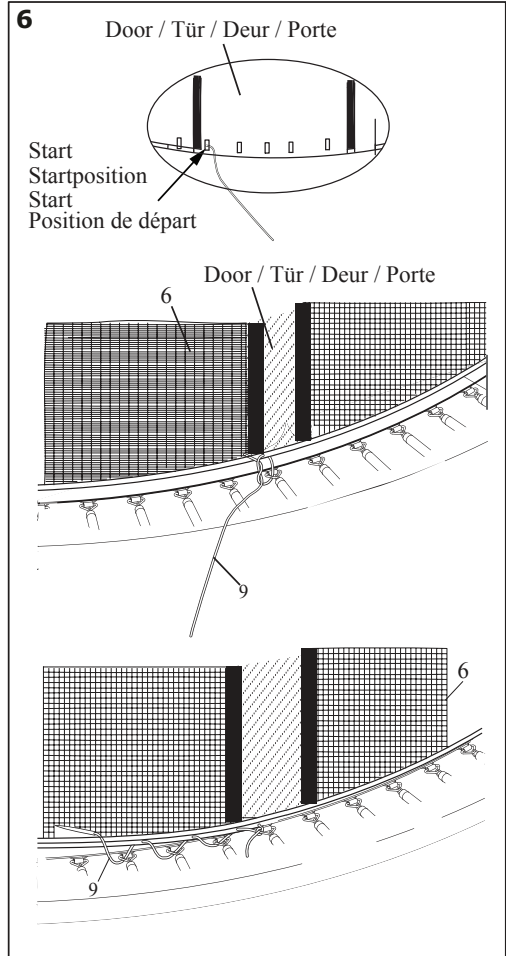


## Stap 6

Opmerking Tijdens stap 6, naait u de onderkant van het net (6) aan de V-ringen van de mat met het koord (9). Zoek de V-ring die het dichtste bij de deur zit en rijg een uiteinde van een koord (9) door de onderkant van het net (6) boven de V-ring. Rijg daarna het koord door de V-ring. Knoop het net aan de V-ring door een dubbele knoop in het koord te leggen.

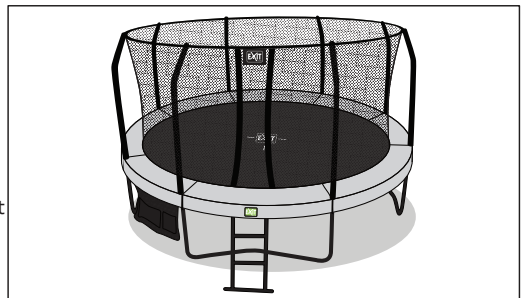
Rijg het koord (9) door de onderkant van het net (6) halverwege tussen de eerste V-ring en de V-ring aan de linkerkant, en rijg het snoer vervolgens door de V-ring aan de linkerkant. Herhaal deze procedure totdat het gehele koord door het net en de V-ring is geregen, zoals weergegeven. Houd het koord strak. Knoop het uiteinde van het koord aan de laatste V-ring waar het koord toe reikt. Herhaal dit tot alle koorden zijn bevestigd.

Knoop een tweede koord (niet weergegeven) aan de laatste V-ring die door het eerste snoer wordt bereikt. Rijg het tweede koord door het net (6) en de V-ring, zoals hierboven beschreven. Zorg ervoor dat het net aan elke V-ring van de trampoline wordt genaaid.



## Gefeliciteerd! Het trampolinenet is nu volledig gemonteerd (in elkaar gezet).

Zorg ervoor dat alle onderdelen goed vastzitten. Maak uzelf en alle gebruikers bekend met de veiligheidsvoorschriften van de trampoline en het veiligheidsnet, het gebruik, de instructiematerialen en de onderhoudsinstructies in deze handleiding voordat de trampoline en het veiligheidsnet worden gebruikt.



## 5.0 ZORG EN ONDERHOUD

Deze trampoline is ontworpen en vervaardigd met kwaliteitsmaterialen en vakmanschap. Bij de juiste zorg en het juiste onderhoud zullen alle gebruikers hier jarenlang met veel plezier op kunnen springen en zal ook het risico op letsel worden verlaagd. Volg de onderstaande richtlijnen:

Deze trampoline is ontworpen om een bepaalde hoeveelheid gewicht en gebruik aan te kunnen. Zorg ervoor dat slechts één persoon tegelijk de trampoline gebruikt. Springers dienen sokken / turnschoenen te dragen of blootsvoets te zijn wanneer zij de trampoline gebruiken. Let er op dat schoenen voor op straat of tennisschoenen NIET mogen worden gedragen tijdens het gebruik van de trampoline. Om te voorkomen dat de trampolinemat gescheurd of beschadigd raakt zijn huisdieren op de mat niet toegestaan. Springers dienen tevens alle scherpe voorwerpen af te doen voordat ze de trampoline gebruiken.

### Onderhoudsinstructies

Het is vooral belangrijk om de volgende onderhoudsinstructies op te volgen aan het begin van elk seizoen en periodiek tijdens het gebruikseizoen.

- U dient te controleren of alle moeren en bouten nog goed vast zitten; draai ze indien nodig aan.
- U dient te controleren dat alle veergeladen aansluitingen (vergrendelingspen) onbeschadigd zijn en niet bewegen tijdens het gebruik van de trampoline.
- U dient de afdekschroeven en scherpe randen te controleren en indien nodig te vervangen.
- Bewaar de onderhoudshandleiding voor later gebruik.

Inspecteer de trampoline altijd vóór gebruik op versleten, verkeerd gebruikte of ontbrekende onderdelen.

**ALS U EEN VAN DE BOVENSTAANDE PUNTEN OF IETS ANDERS DAT VOLGENS U LETSEL BIJ EEN GEBRUIKER KAN VEROORZAKEN OPMERKT, DIENT DE TRAMPOLINE TE WORDEN GEDEMONTEERD OF TEGEN GEBRUIK TE WORDEN BEVEILIGD TOTDAT DE KWESTIE IS VERHOLPEN.**

### WINDERIGE OMSTANDIGHEDEN

Bij hevige wind kan de trampoline van zijn plaats worden geblazen. Als u winderige weersomstandigheden verwacht, dient de trampoline naar een beschutte plek te worden verplaatst of te worden gedemonteerd. Een andere optie is om het ronde, buitenste gedeelte (bovenframe) van de trampoline aan de grond vast te maken met behulp van touwen en paaltjes. Voor de veiligheid dienen ten minste drie (3) vastzetpunten te worden gebruikt. Bevestig niet alleen maar de poten van de trampoline aan de grond (deze kunnen namelijk uit de framesokkels worden getrokken).

### DE TRAMPOLINE VERPLAATSEN

Als u de trampoline moet verplaatsen, zijn hiervoor twee mensen nodig. Alle verbindingpunten dienen stevig te worden omwikkeld met weersbestendige tape, zoals duct tape. Hierdoor blijft het frame tijdens de verplaatsing heel en wordt voorkomen dat de verbindingpunten van hun plaats raken en van elkaar worden gescheiden. Licht de trampoline bij het verplaatsen enigszins van de grond en houdt deze horizontaal ten opzichte van de grond. Voor elke andere soort verplaatsing dient u de trampoline te demonteren.

## 6.0 Garantie

1. De eigenaar van het EXIT Toys veiligheidsnet heeft na de datum van de aankoopnota:
  - 2 jaar garantie op het breken van het frame
  - 1 jaar garantie op het scheuren van het net
2. De garantie geldt uitsluitend voor materiaal- en constructiefouten ten aanzien van dit product of onderdelen daarvan.
3. De garantie vervalt als:
  - Dit product onjuist en/of onzorgvuldig gebruikt is en gebruikt wordt dat niet overeenkomstig bestemming is.
  - Dit product niet conform het instructieboekje geassembleerd en onderhouden is.
  - Technische reparaties aan dit product niet op vakkundige wijze verricht zijn.
  - Naderhand gemonteerde onderdelen niet overeenkomen met de technische specificaties van het betreffende product, of onjuist gemonteerd zijn.
  - Gebreken als gevolg van klimatologische invloeden, zoals roest, UV-straling of normale verwerking.
  - Het product wordt gebruikt voor verhuur of op andere wijze aan meerdere ongespecificeerde personen ter beschikking staat.
4. Gedurende de garantieperiode zullen alle door EXIT Toys vastgestelde materiaal- of constructiefouten ter keuze van EXIT Toys worden gerepareerd, danwel worden vervangen.
5. De eigenaar kan slechts aanspraak maken op de garantie door het product ter inspectie aan te bieden bij een EXIT Toys dealer. Hierbij dient de originele aankoopnota aan de EXIT Toys dealer te worden overhandigd.
6. In geval van door EXIT Toys vastgestelde materiaal- of constructiefouten, zal het product of zullen onderdelen daarvan gedurende de in artikel 1 genoemde garantieperiode ter keuze van EXIT Toys gratis worden gerepareerd, danwel gratis worden vervangen.
7. Indien de garantieaanvraag niet terecht is, zijn alle gemaakte kosten voor rekening van de eigenaar.
8. De garantie is niet overdraagbaar aan derden.
9. Het is niet toegestaan de trampoline te verhuren of te plaatsen op openbare plaatsen zoals scholen en kinderdagverblijven. Bij verhuur of gebruik op openbare plaatsen vervalt iedere garantie of vervallen andere aansprakelijkheden.



## 1.0 Introduction

Vous venez de faire l'acquisition du EXIT JumpArenA Filet de Sécurité; nous vous en félicitons!

### **S'amuser, être actif et jouer dehors.....**

Nous faisons tout notre possible pour développer des produits sûr pour les enfants. Étant donné que nos produits sont classés comme étant des jouets, nous nous conformons aux réglementations de sécurité des consommateurs les plus rigoureuses. Avant de commercialiser nos produits, nous faisons réaliser des tsts indépendants en vue d'obtenir la certification. Nous testons également en continu nos cycles de production et faisons régulièrement réaliser des tests indépendants à titre de contrôle supplémentaire. Seuls les produits qui se montrent à la hauteur de la norme EXIT Toys la plus rigoureuse sont porteurs de l'étiquette EXIT Toys.

Nous souhaitons vous remercier pour l'achat de ce produit et pour votre fidélité. Nous sommes sûrs que vos enfants s'amuseront autant que nous nous sommes amusés durant la phase de développement. Nous sommes très ouverts et preneurs de tous les commentaires et idées qui pourraient nous aider à améliorer nos produits et à en développer de nouveaux. Vous êtes invités à nous envoyer vos idées à [info@exittoys.com](mailto:info@exittoys.com).

Découvrez le monde de EXIT Toys, ses produits de divertissement branchés et ses nouveautés sur [www.exittoys.com](http://www.exittoys.com).

L'équipe EXIT Toys.



## 2.0 Consignes de sécurité

Une utilisation conforme à ce qui est indiqué dans ce manuel éliminera quasiment tous les dangers. Cependant, gardez à l'esprit que les enfants éprouvent naturellement une forte envie de jouer et cela peut conduire à des situations imprévisibles et dangereuses dont le fabricant ne peut être tenu pour responsables. Apprenez à vos enfants à utiliser le produit et informez-les des dangers possibles qu'ils encourent.

### AVANT DE COMMENCER À UTILISER VOTRE TRAMPOLINE:

Lire et comprendre toutes les informations délivrées dans ce manuel.

Comme pour tous les sports et activités physiques, le risque de blessure existe. Pour garantir votre plaisir futur et prévenir les dommages, assurez-vous de suivre les règles et les conseils de sécurité appropriés.

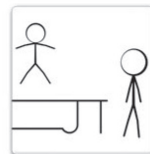
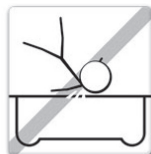


## AVERTISSEMENT

Afin d'éviter toute blessure grave:



- Lire et comprendre le manuel avant utilisation.
- Attention! Ce produit est seulement conçu pour un usage domestique.
- Attention! RISQUE D'ÉTOUFFEMENT ! - Petites pièces. Pas adapté aux enfants de moins de 3 ans.
- Protection des enfants
  - Évitez les risques de chutes et d'étranglement - La sortie s'effectue uniquement via la porte, avec précaution.
  - Assistez les jeunes enfants lors de l'entrée et de la sortie du filet de Sécurité.
- Attention! Danger de collision! N'avez jamais plus d'une personne à la fois sur le trampoline.
- Attention! Toujours sauter dans le milieu du tapis de saut!
- Attention! Ne pas exécuter de sauts périlleux ou autres sauts difficiles !
- Attention! Vider vos poches avant de monter sur le trampoline !
- L'enfant doit être constamment surveillé par un adulte.
- N'utilisez jamais le trampoline lorsqu'il est mouillé, pour prévenir les accidents dus au glissement.
- Le jouet doit être assemblé par un adulte avant de pouvoir être utilisé.
- En cas de pièce manquante ou defectueuse, veuillez contacter votre revendeur pour assistance.
- Avertissement : nous ne sommes pas responsables des blessures pouvant survenir lors de l'utilisation du trampoline avec le filet de sécurité.
- Poids max. de l'utilisateur:    8ft: 100kg.    10ft: 100 kg.  
   12ft: 110kg.    14ft: 120 kg.



## 2.1 Instructions générales de sécurité

1. Veuillez lire et suivre toutes les instructions avant de commencer à vous exercer avec votre filet de sécurité.
2. Avant chaque utilisation, veuillez inspecter le filet de sécurité et la stabilité globale du trampoline et vérifier l'absence de tubes en acier tordus, tapis de saut déchiré, ressorts cassés et lâches.
3. Vous devez toujours vous assurer que l'équipement fonctionne normalement et en toute sécurité avant de fixer votre filet de sécurité.
4. Une seule personne à la fois est autorisée à sauter sur le trampoline. Le filet de sécurité a été conçu pour une seule personne.
5. Un surveillant est absolument nécessaire lorsque les enfants utilisent ce trampoline.
6. Le filet de sécurité n'a pas pour fonction de remplacer la surveillance par un adulte.
7. Ce produit est seulement conçu pour un usage domestique.
8. Le vent ou les mouvements aériens doivent être doux et calmes, n'utilisez pas le trampoline par grand vent ou rafales.
9. Assurez-vous qu'une personne surveille toujours l'utilisateur du trampoline.
10. AVERTISSEMENT : Fermer toujours l'entrée du filet de sécurité avant d'utiliser le trampoline.
11. Déplacement du trampoline. Si le trampoline doit être déplacé, il doit être déplacé par deux personnes. Soulevez le trampoline peu et garder le trampoline lorsque vous déplacez horizontalement. Si nécessaire, vous pouvez démonter le trampoline. Suivez les instructions d'installation dans l'ordre inverse.
12. AVERTISSEMENT Vérifier avant et après l'utilisation du produit - et, en particulier, les composants suivants - pour les dommages et l'usure:
  - Tapis de trampoline
  - Filet
  - Rembourrage d'armature
  - Ressorts

## 3.0 INFORMATIONS GÉNÉRALES

- Il n'est pas nécessaire de démonter le trampoline pendant l'hiver.
- Les écrous autobloquants et les vis conviennent uniquement pour une mise en place et doivent être remplacés après un démontage du trampoline et/ou du filet de sécurité.
- Le filet de sécurité a une durée de vie minimum de 5 ans après l'achat.
- On recommande de placer les trampolines sur une surface plane et horizontale à au moins 2 m de distance d'autres superstructures ou barrières, par exemple d'un garage, d'une maison, de branches d'arbre, lignes de lavage ou câbles électriques.
- Le trampoline ne sera pas installé au-dessus de surfaces dures comme l'asphalte ou le béton.
- Remplacer les pièces défectueuses conformément à la recommandation du fournisseur.
- Les modifications au trampoline (par exemple l'ajout d'un accessoire) doivent être effectuées conformément à l'instruction du fournisseur.

## 4.0 ASSEMBLAGE DU FILET DE SÉCURITÉ

### CONSTRUCTION PAR ÉTAPES

**Veillez lire les instructions d'assemblage avant de commencer à assembler le produit.**

Veillez vous référer au tableau ci-dessous pour la description des pièces et la nomenclature.

Vérifiez que vous avez bien toutes les pièces listées. Si une quelconque pièce est manquante, veuillez contacter votre revendeur.

Veillez utiliser des gants pour protéger vos mains des parties saillantes au cours de l'assemblage. Lorsque vous êtes prêt à commencer, assurez-vous que vous avez suffisamment d'espace, et une surface propre et sèche pour l'assemblage.

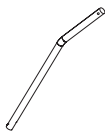
## Parts list

Nr.	Description	8ft	10ft	12ft	14ft
1	Manchon en mousse	4	8	8	8
2	Tube supérieur	4	8	8	8
3	Tube inférieur	4	8	8	8
4	Mousse	8	16	16	16
5	Vis	4	8	8	8
6	Filet	1	1	1	1
7	Capuchon d'extrémité	4	8	8	8
8	Bouchon d'embout	2	2	3	3
9	Cordes	2	2	2	2
10	Fibre de verre	2	2	2	2
11	Outil	1	1	1	1

*Vous trouverez ci-joint les spécifications actuelles et les caractéristiques du produit disponibles au moment de l'impression. Des modifications ont cependant pu être apportées dans l'équipement, la disponibilité, les caractéristiques et les dispositifs, sans avis préalable.*



(1)



(2)



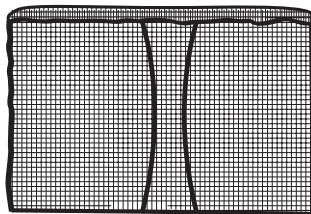
(3)



(4)



(5)



(6)



(7)



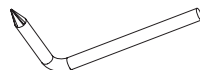
(8)



(9)



(10)

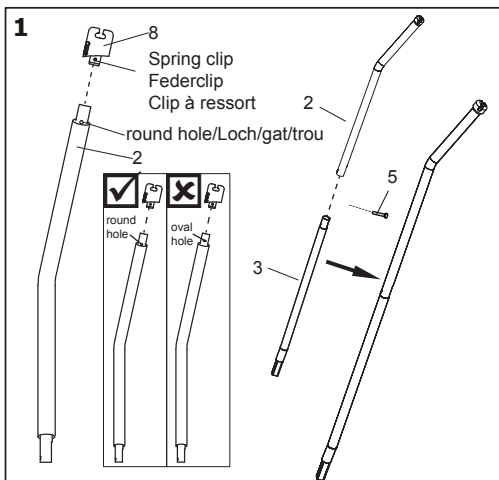


(11)

## Étape 1

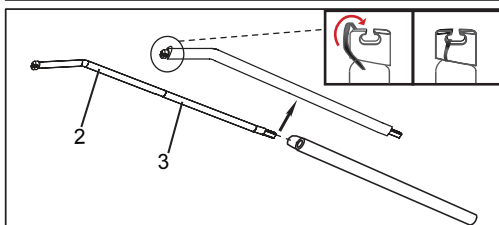
Insérez le bouchon d'embout dans le tube supérieur de mousse comme indiqué.

Poser le tube supérieur (2) avec la mousse (4) et le tube inférieur (3) avec la mousse (4) sur le sol, insérer le tube inférieur (3) dans le tube supérieur (2) bloqué avec la vis (5).



Insérer ensuite les tubes assemblés dans le manchon en mousse (1).

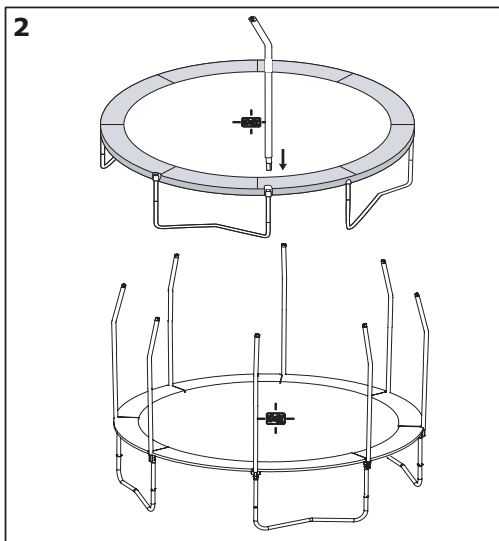
Répéter cette étape pour attacher les autres tubes supérieurs (2) et tubes inférieurs (3) (non affiché).



## Étape 2

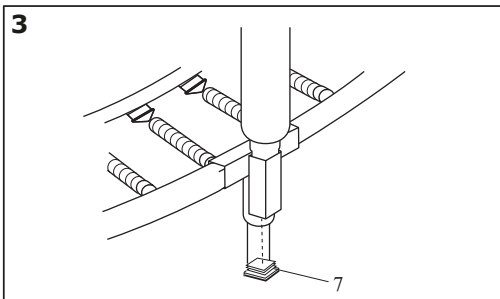
Insérer la perche de clôture dans la douille du trampoline, comme affiché.

Attacher les autres perches de clôture de la même manière.



### Étape 3

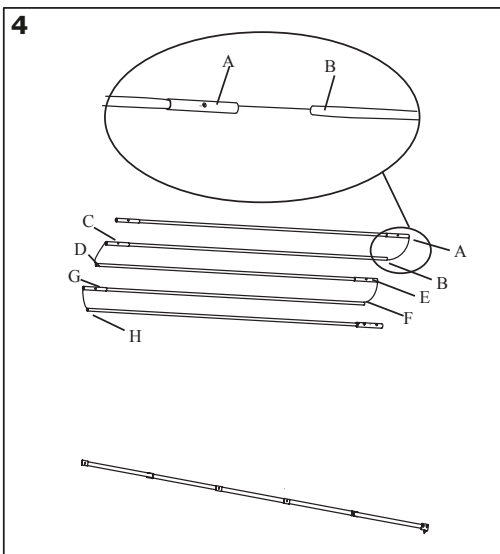
Insérer le capuchon d'extrémité (7) dans le trou inférieur du support.



### Étape 4

Identifier le câble avec les petites sections attachées par le fil, puis insérer l'extrémité B du câble dans l'extrémité A comme affiché, répéter ce processus pour attacher les câbles restants C, D, E, F ..... pour former le premier câble assemblé.

Répéter ce processus pour attacher l'autre câble de la même manière.



## Étape 5

### A

Insérer un câble assemblé (10) dans le manchon sur le dessus du filet de clôture (6) comme affiché en A.

**Note : Deux adultes sont nécessaires pour effectuer l'assemblage.**

Insérer le deuxième câble assemblé (11) dans la douille en haut du filet de clôture de la même façon.

### B

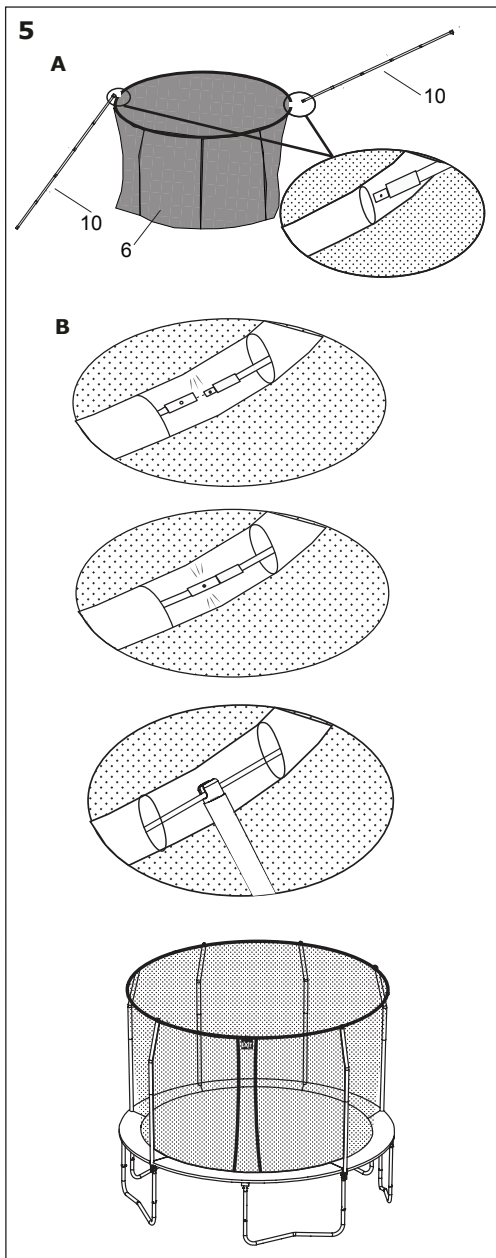
Attacher deux extrémités du câble entier comme affiché en B.

**Note: Mettez le filet à l'intérieur des pôles sur le coussin de protection. Maintenant, allez debout sur le Tapis de trampoline.**

Fixer le câble de clôture au capuchon en plastique. S'assurer que le câble est bien inséré dans la fente.

Répéter pour l'ensemble du câble et le capuchon en plastique.

S'assurer que le centre des portes de la clôture et le centre des deux pieds soient alignés.

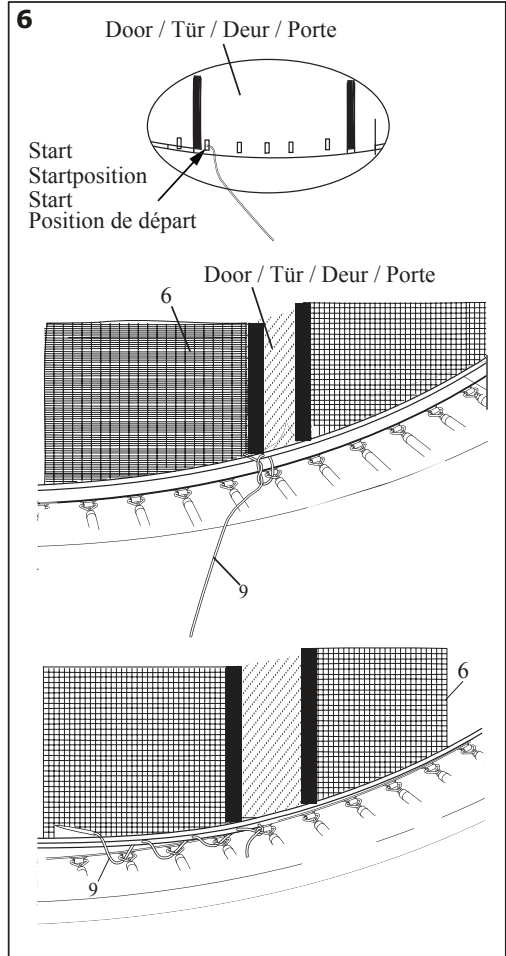


## Étape 6

Note : Au cours de l'étape 6, vous « coudrez » le bord inférieur du filet (6) aux anneaux en V sur la natte en utilisant les cordes (9). Localiser l'anneau en V le plus proche de la porte. Enfiler une extrémité d'une corde (9) par le bord inférieur du filet (6) au-dessus de l'anneau en V et enfiler ensuite la corde par l'anneau en V. Attacher le filet à l'anneau en V en faisant un double nœud dans la corde.

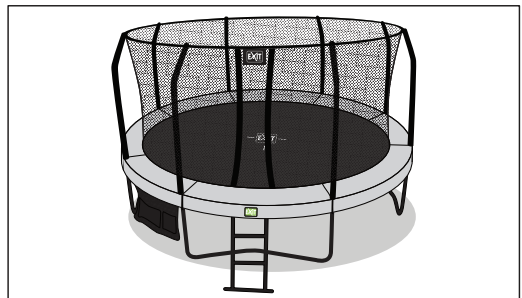
Enfiler la corde (9) par le bord inférieur du filet (6) à mi-chemin entre le premier anneau en V et l'anneau en V de la gauche. Enfiler ensuite la corde par l'anneau en V de la gauche, répéter ce procédé jusqu'à ce que la corde entière soit enfilée à travers le filet et l'anneau en V comme affiché. Maintenir la corde tendue. Attacher l'extrémité de la corde au dernier anneau en V atteint. Répéter ce processus jusqu'à ce que toutes les cordes soient attachées.

Attacher une deuxième corde (non représenté) au dernier anneau en V atteint par la première corde. Enfiler la deuxième corde à travers le filet (6) et l'anneau en V comme décrit ci-dessus. S'assurer que le filet soit cousu à chaque anneau en V sur le lit du trampoline.



## Félicitations ! Votre clôture de trampoline est maintenant entièrement assemblée.

S'assurer que toutes les pièces soient solidement attachées. Tous les utilisateurs doivent se familiariser avec le trampoline et la clôture, avec les mesures de sécurité, l'utilisation et les notices d'utilisation, d'entretien et de maintenance contenues dans ce manuel avant d'utiliser le trampoline et la clôture.





## 5.0 SOINS ET ENTRETIEN

Ce trampoline a été conçu et fabriqué dans les règles de l'art et avec des matériaux de qualité. Si un entretien correct est apporté, ce trampoline fournira des années d'exercice et de plaisir à tous les utilisateurs, tout en réduisant le risque de blessures. Veuillez suivre les directives énumérées ci-dessous :

Ce trampoline est conçu pour supporter un certain poids et un certain usage. Veuillez vous assurer que ce trampoline est utilisé par une seule personne à la fois. Lors de l'utilisation de ce trampoline, les utilisateurs devraient porter des chaussettes, des chaussons de gymnastique ou être pieds nus. Veuillez à ne PAS porter de chaussures de sport ou de ville lorsque vous utilisez ce trampoline. Afin d'empêcher le tapis du trampoline d'être endommagé ou sectionné, veuillez ne pas autoriser les animaux domestiques sur le tapis. Les utilisateurs ne devraient également porter aucun objet coupant avant d'utiliser le trampoline.

### Instructions d'entretien

Il est particulièrement important de suivre les instructions d'entretien suivantes au début de chaque saison et périodiquement pendant la saison d'utilisation :

- Il est nécessaire de déterminer si tous les écrous et boulons sont bien serrés ;
- Vérifier que tous les raccords à ressort (goupilles de verrouillage) sont intacts et ne se déplacent pas lorsque le trampoline est utilisé ;
- Tous les capuchons de vis et les bords pointus doivent être vérifiés et remplacés au besoin ;
- Le manuel d'entretien sera conservé ;

Inspectez toujours le trampoline avant chaque usage, pour détecter d'éventuelles pièces tordues, endommagées ou manquantes.

**SI VOUS CONSTATEZ UNE DES CIRCONSTANCES PRÉCÉDENTES OU UNE QUELCONQUE CONDITION QUI POURRAIT, SELON VOUS, CAUSER DES DOMMAGES A UN QUELCONQUE UTILISATEUR, LE TRAMPOLINE DEVRAIT ÊTRE DÉSASSEMBLÉ OU SÉCURISÉ POUR EMPÊCHER SON UTILISATION JUSQU'À CE QUE LA/LES CONDITIONS SOIT RÉSOUES.**

### CONDITIONS VENTEUSES

Dans des conditions de grand vent, le trampoline peut s'envoler. Si vous pressentez des conditions venteuses, déplacez le trampoline dans un endroit abrité ou démontez-le. Une autre option est d'attacher la portion ronde, extérieure (châssis supérieur) du trampoline au sol, en utilisant des cordes et des poteaux. Pas sécurité, au moins trois (3) attaches devraient être utilisées. Ne vous contentez pas de sécuriser les pieds du trampoline au sol car ils pourraient sortir des logements du châssis.

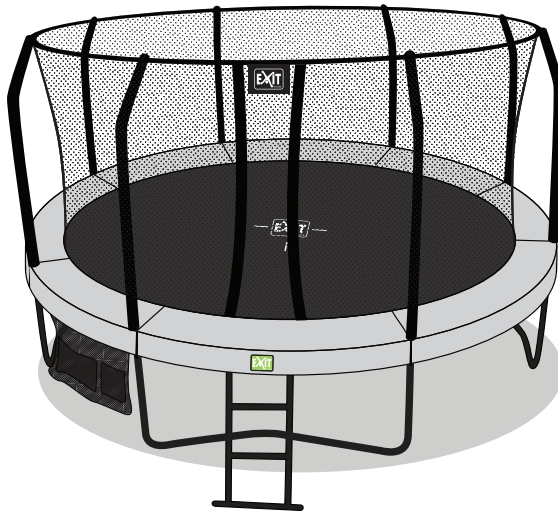
### DÉPLACEMENT DU TRAMPOLINE

Si vous avez besoin de déplacer le trampoline, deux personnes devraient être mises à contribution. Tous les points des connecteurs devraient être enveloppés de manière sécurisée avec du ruban adhésif résistant aux intempéries, comme le « duct tape ». Cela maintiendra le châssis intact pendant le déplacement et empêchera les points de connecteurs de se défaire et de se séparer. Lors du déplacement, soulevez légèrement le trampoline du sol et gardez-le horizontalement. Pour tout mouvement d'un autre type, il vous faut désassembler le trampoline.

## 6.0 Garantie

1. Le propriétaire du Trampoline EXIT Toys bénéficie d'une garantie après la date d'achat:
  - de 2 ans sur la rupture du châssis
  - de 1 an sur le déchirement du filet
2. La garantie s'applique uniquement vis-à-vis des vices de construction et des vices matériels de ce produit ou des pièces de ce produit.
3. La garantie s'annule lorsque:
  - Ce produit est utilisé incorrectement et/ou avec négligence et non conformément à ce pour quoi il a été destiné.
  - Ce produit n'a pas été assemblé et entretenu conformément au carnet d'instructions.
  - Les réparations techniques sur ce produit n'ont pas été effectuées de manière compétente.
  - Les pièces montées plus tard ne correspondent pas aux spécifications techniques du produit concerné, ou sont montées de manière inexacte.
  - Les défauts liés aux influences climatologiques, comme la rouille, le rayonnement UV ou l'altération normale.
  - Le produit est utilisé pour la location ou est mis, d'une autre manière, à la disposition de plusieurs personnes non spécifiées.
4. Pendant la période de garantie, tous les vices de construction ou les vices matériels constatés par EXIT Toys seront réparés ou remplacés, selon le choix de EXIT Toys.
5. Le propriétaire peut seulement prétendre à la garantie en proposant le produit à l'inspection auprès d'un distributeur EXIT Toys. La facture d'achat originale doit être remise au distributeur EXIT Toys.
6. En cas de vice de construction ou de vice matériel de EXIT Toys, le produit ou les pièces du produit sera/seront réparé(es) ou remplacé(es) gratuitement, selon le choix de EXIT Toys, pendant la période de garantie précitée à l'article 1.
7. Si la demande de garantie n'est pas justifiée, tous les frais encourus sont à la charge du propriétaire.
8. La garantie n'est pas transmissible aux tiers.
9. Le Trampoline est conçues pour un usage privé. Il est interdit de louer les trampolines ou de les placer dans des lieux publics comme des écoles ou des crèches. En cas de location ou d'utilisation dans des lieux publics, toute garantie ou autre responsabilité tombe.





## **JumpArena Round**

Contact:  
Dutch Toys Group  
Fabriekstraat 17<sup>e</sup>  
P.O. Box 369, 7000 AJ Doetinchem

[info@exittoys.com](mailto:info@exittoys.com)  
[www.exittoys.com](http://www.exittoys.com)

*EXIT is a registered trade mark of Dutch Toys Group*